

0 to 50 dB WR-10 Waveguide Direct Read Attenuator
From 75 GHz to 110 GHz, Dial UG-387/U-Mod Flange



SMW10AT5001

Features

- WR-10
- 75 to 110 GHz
- 0 to 50 dB minimum attenuation range
- Stable base with height adjustable feet (1/2 inch)
- UG-387/U-Mod Flange
- 1.20:1 Maximum VSWR
- 2% attenuation accuracy over most of the attenuation range.
- 0.2 Watt Maximum Power
- Easy to read drum scale

Applications

- System Calibration
- Instrumentation
- Test Benches
- Research and Development

Description

The SMW10AT5001 is a continuously variable attenuator that has “direct read” capability which allows the user to dial-in the amount of attenuation needed to within 2% accuracy over most of the attenuation range. Designed for the WR-10 frequency range (75 to 110 GHz), it is constructed using a precision rotary resistive vane in a circular waveguide. The attenuation level is stable, highly repeatable and accurate across the full frequency and attenuation range. This attenuator is ideal for precision measurements in demanding applications like instrumentation and system calibration.

Electrical Specifications

Description	Minimum	Typical	Maximum	Units
Frequency Range	75		110	GHz
Attenuation	0		50	dB
Accuracy %		±2	±4	%
VSWR			1.2:1	
Insertion Loss			1	dB
Input Power, CW			0.2	Watts

Attenuation Accuracy

Description	F1	F2	F3	F4	F5	Units
Attenuation Setting	10	20	30	40	50	dB
Accuracy	±0.2	±0.4	±0.6	±1.6	±2	dB

Electrical Specification Notes:

Attenuation Accuracy is 0.1 dB or 2% of reading, whichever is greater, to 40 dB and 4% of reading from 40 dB to 50 dB.
Maximum attenuation setting is 60 dB

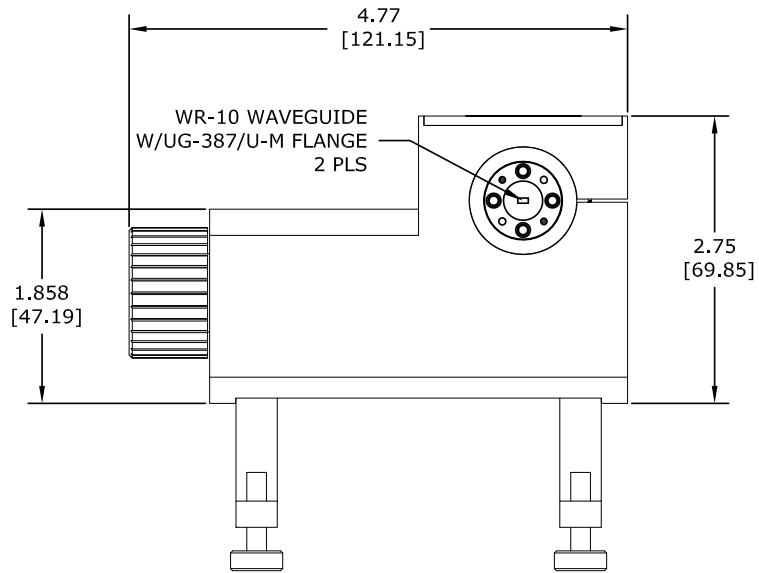
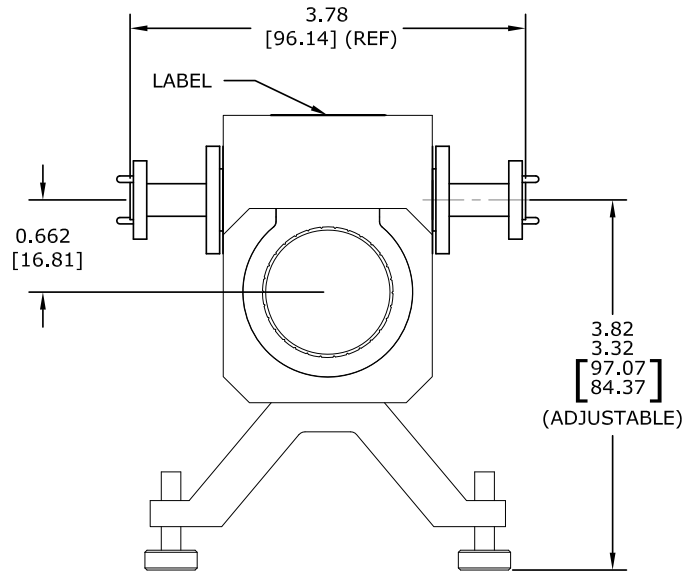
Mechanical Specifications

Size

Length	4.77 in [121.16 mm]
Width	3.78 in [96.01 mm]
Height	0 in [0 mm]
Weight	2.541 lbs [1.15 kg]

SMW10AT5001 CAD Drawing

0 to 50 dB WR-10 Waveguide Direct Read Attenuator From 75 GHz to 110 GHz, Dial UG-387/U-Mod Flange



UNLESS OTHERWISE SPECIFIED:
 DIMENSIONS ARE IN: inches [mm]
 TOLERANCES ARE:
 .XX ± .10 [± 2.54]
 .XXX ± .005 [± .127]

* THESE DIMENSIONS AND TOLERANCES SUPERSEDE NOTE #1 ON TITLE BLOCK.

FAIRVIEW MICROWAVE INC. ALLEN, TX 75013 WWW.FAIRVIEWMICROWAVE.COM		NOTES: 1. UNLESS OTHERWISE SPECIFIED ALL DIMENSIONS ARE NOMINAL. 2. ALL SPECIFICATIONS ARE SUBJECT TO CHANGE WITHOUT NOTICE AT ANY TIME. 3. DIMENSIONS ARE IN INCHES [mm].			
TITLE	DWG NO	SMW10AT5001		CAGE CODE	3FKR5
	CAD FILE	120415	SHEET	SCALE	N/A SIZE A 2233