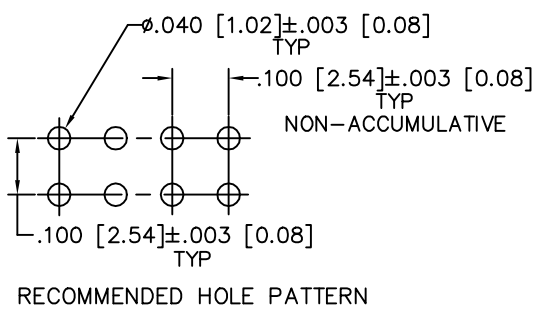
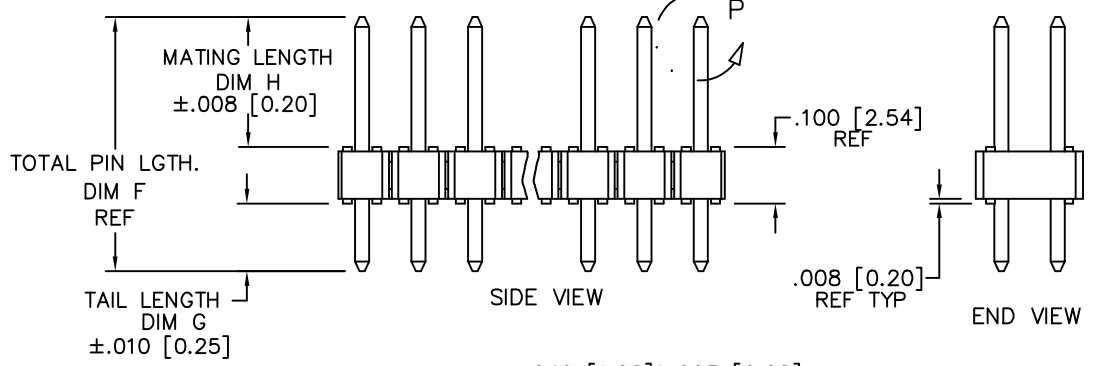
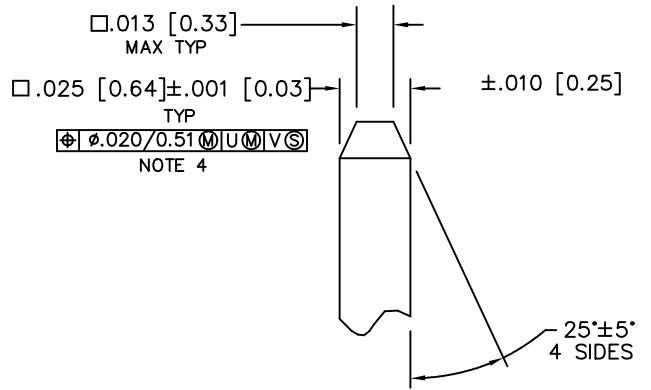
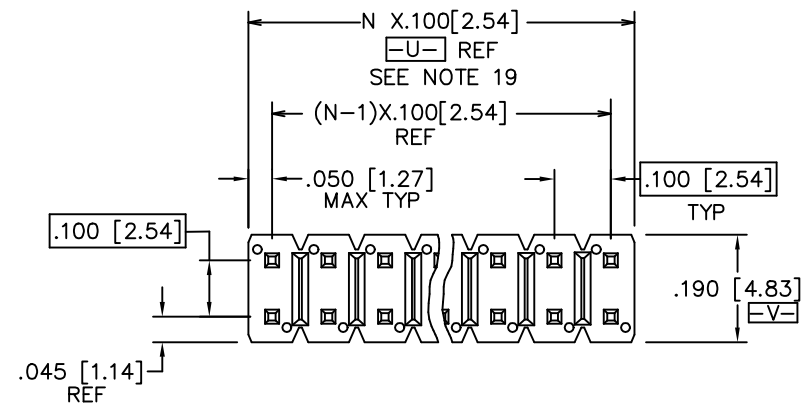


PRODUCT NUMBER
 XXXXX-YYY X X XF
 GREEN OPTION
 SEE NOTE 1,13
 PACKAGE OPTION
 SEE NOTE 1 OR 10 OR 20
 HIGH TEMPERATURE PLASTIC
 SEE NOTE 1
 NO OF POSITIONS
 SEE NOTE 1
 PIN PLATING
 SEE SHEET 2
 BASE PART NO.
 SEE SHEET 4 TO 8



67996-X XX XXX XXX X XF
 GREEN OPTION
 (SEE NOTE 1,13)
 PACKAGE
 (SEE NOTE 1 & 10 & 20)
 TAIL LENGTH (EXAMPLE BELOW)
 3.0mm=030 12.8mm=128
 (SEE NOTE 16 & 17)
 MATING LENGTH (EXAMPLE BELOW)
 5.0mm=050 25.5mm=255
 (SEE NOTE 16 & 17)
 TOTAL NUMBER OF POSITIONS
 FROM 2 (2X1) THRU 72 (2X36) POS.
 PIN PLATING (SEE NOTE 14)
 1=0.76µm Au
 4= PURE TIN
 8=0.36µm Au
 BASE PART NO.
 DOUBLE ROW

mat'l. code SEE NOTES 1 & 2		surface ISO 1302 ✓		tolerance ISO 406 ISO 1101		projection INCH/MM		product family BERGSTIK	
ltr	ecn no	dr	date	tolerances unless otherwise specified		title		BERGSTIK II HEADER D/R	
DF	N11-0180	J.Z	2011-05-31	angles	linear	scale 2:1		.100/2.54cc STRAIGHT	
DG	ELX-N-13471	J.Z	2011-11-16					dwg no sheet 1 of 8 size	
DH	ELX-N-16105	ZK	2013-10-22	0°±2'				67996 A3	
DJ	ELX-N-37975	MKX	2020-8-11	dr	T.BREWBAKER	12/21/94		type Product Customer Drawing	
DK	ELX-N-38872	MKX	2020-11-04	enfr	T.HANNA	07/21/99			
DL	ELX-N-52054	MZ	2024-07-05	chr	J.MURPHY	07/21/99			
				appd	T.HANNA	07/21/99			
sheet index	revision sheet	DL	1-8						

Amphenol FCI
 © 2016 AFCI
 D

PIN PLATING CODES:

XXXX-1YY	30u"/0.76u MIN (SEE NOTE 14) OVER 50u"/1.27u MIN Ni
XXXX-2YY	15u"/0.38u MIN (SEE NOTE 14) OVER 50u"/1.27u MIN Ni
XXXX-3YY	50u"/1.27u MIN (SEE NOTE 14) OVER 50u"/1.27u MIN Ni
XXXX-4YY	100u"/2.54u MIN Sn OVER 50u"/1.27u MIN Ni (SEE NOTE 15)
XXXX-4YYHLF	
XXXX-5YY	15u"/0.38u MIN (SEE NOTE 14) OVER 50u"/1.27u MIN Ni
XXXX-6YY	30u"/0.76u MIN (SEE NOTE 14) OVER 50u"/1.27u MIN Ni
XXXX-7YY	30u"/0.76u MIN (SEE NOTE 14) OVER 50u"/1.27u MIN Ni
XXXX-8YY	15u"/0.38u MIN (SEE NOTE 14) OVER 50u"/1.27u MIN Ni
XXXX-9YY	15u"/0.38u MIN (SEE NOTE 14) OVER 50u"/1.27u MIN Ni
XXXX-0YY	30u"/0.76u MIN (SEE NOTE 14) OVER 50u"/1.27u MIN Ni

- PIN MATERIAL: PHOS BRONZE.
- MEASURED WITH PART IN RESTRAINED CONDITION.
- TWO SIDES OF PIN TIPS NOT PLATED. TYPICAL BOTH ENDS.
- 2LBS/0.9KG MIN PIN RETENTION IN EITHER DIRECTION.
- MILITARY BERGSTIK HEADER
P/N XXXXX-XY-MIL
NOT AVAILABLE.
- ±.010/0.25 TOL APPLIES TO ALL "G" TAILS EXCEPT INDICATED PARTS ON TABLE WHERE +.010/0.25 -.000/0.00 APPLIES.
- NOTCH CONFIGURATION WILL VARY PER VENDOR'S DISCRETION.
- BERGSTRIPTM PART NUMBERS FOLLOWED BY BY A "B" ARE BULK PRICED.
- TAIL LENGTH (DIM. G) TO BE ±.008/.0.20.
- POSITIONS PER ROW 37 TO 50 CAN BE PRODUCED, BUT FLATNESS AND CURVATURE MAY NOT BE HELD AS CLOSE AS 36 POSITIONS.
- THESE PRODUCTS MEETS EUROPEAN UNION DIRECTIVES AND OTHER COUNTRY REGULATION AS DESCRIBED IN GS-22-008.
- PLATING OPTIONS:
PERFORMANCE PLATING WILL BE EITHER GOLD OR GXT ON POST OR TAIL, OPTIONALLY (78~295u"/2~7.5u) TIN ON TAIL.
- "THIS PRODUCT HAS 100% TIN PLATING IN THE INTERFACE AND HAS NOT BEEN TESTED FOR WHISKER GROWTH IN ALL INTERCONNECT ENVIRONMENTS."
- THE OAL DON'T EXCEED 34.5mm
- INCREMENTS BY 0.1mm IN LENGTHS ONLY
- FOR SPECIAL PACKAGING REQUEST PLEASE CONTACT PRODUCT MANAGER FOR AVAILABILITY
- TO DETERMINE DIMENSIONS:
N=NUMBER OF POSITION PER ROW
EXAMPLE: 10 POS. N X .100/2.54
- PART NUMBERS 68602 OR 67996 FOLLOWED BY A "D" ARE PACKAGED IN TAPE/REEL WITHOUT PICKUP CAP.
- PART NUMBERS 86503-112HLF WILL BE HALOGEN FREE ASSEMBLY.

NOTES

- PART NUMBER OPTIONS:
PIN PLATING CODES (SEE ABOVE)
- HIGH TEMPERATURE MATERIAL:
PART NUMBERS WITH AND WITHOUT "H" WILL BE SUPPLIED WITH HIGH TEMPERATURE PLASTIC.
PART NUMBERS WITH AND WITHOUT "HF" WILL BE HALOGEN FREE AND HIGH TEMPERATURE PLASTIC.
- NUMBER OF POSITIONS :
EVEN NUMBER OF POSITIONS FROM 2 (2X1) THROUGH 72 (2X36).
-X00H INDICATES BERGSTRIPTM PRODUCT. SEE PAGE 3
FOR SPECIAL GEOMETRY OF THIS CONTINUOUS STRIP PRODUCT.
AUTOMATED REELS WILL CONTAIN 45,000 PINS.
SEE SPECIFIC PART NUMBERS FOR AVAILABILITY.
- PACKAGING:
PACKAGED IN POLY BAGS.
EIGHT DIGIT PART NUMBERS FOLLOWED BY A "T" ARE PACKAGED IN TUBES. SEE SPECIFIC PART NUMBERS FOR AVAILABILITY.
EIGHT DIGIT PART NUMBERS FOLLOWED BY A "G" ARE PACKAGED IN GPAX FOR IBM ONLY. SEE SPECIFIC PART NUMBERS FOR AVAILABILITY.
PART NUMBERS FOLLOWED BY A "C" ARE PACKAGED IN TUBES WITH A PICKUP CAP APPLIED.
EIGHT DIGIT PART NUMBERS FOLLOWED BY A "A" ARE PACKAGED IN TAPE/REEL WITH PICKUP CAP P/N 95730-003 APPLIED.
- LEAD FREE:
ADD "LF" SUFFIX AT THE END OF PART NUMBER FOR LEAD FREE OPTION, NOT AVAILABLE FOR -5YY,-5YYH, -6YY & -6YYH
- HALOGEN FREE:
ADD "HF" SUFFIX AT THE END OF PART NUMBER FOR HOLOGEN FREE OPTION

2. BODY MATERIAL:

BODY MATERIAL : MANUFACTURER'S OPTION OF NYLON, PCT GLASS FIBER REINFORCED OR MINERAL FILLED LCP FLAME RETARDENT PER UL-94V-0. COLOR: BLACK

BERGSTRIPTM PRODUCED WITH HIGH TEMPERATURE LCP THERMOPLASTIC, FLAME RETARDENT PER UL-94V-0. COLOR: BLACK

PART NUMBERS WITH "H" AND WITHOUT SUFFIX WILL WITHSTAND EXPOSURE TO 260° C PEAK TEMPERATURE FOR 20 SECONDS IN WAVE SOLDER, INFRA-RED OR VAPOR PHASE SOLDER PROCESS.

mat'l. code		surface		tolerance		projection		product family	
SEE NOTES 1 & 2		ISO 1302		ISO 406 ISO 1101				BERGSTIK	
ltr		ecn		no		dr		date	
DL									
		angles		linear		INCH/MM		title	
		0±2'				scale 2:1		BERGSTIK II HEADER D/R	
		dr		T.BREWBAKER		12/21/94		sheet2 of 8	
		enfr		T.HANNA		07/21/99		size	
		chr		J.MURPHY		07/21/99		67996	
		appd		T.HANNA		07/21/99		type Product Customer Drawing	
sheet		revision		DK					
index		sheet		1-8					

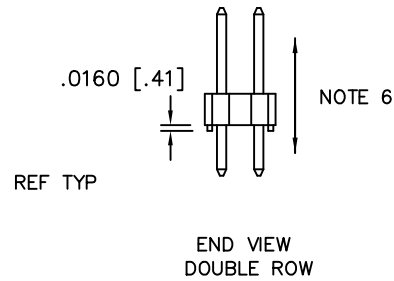
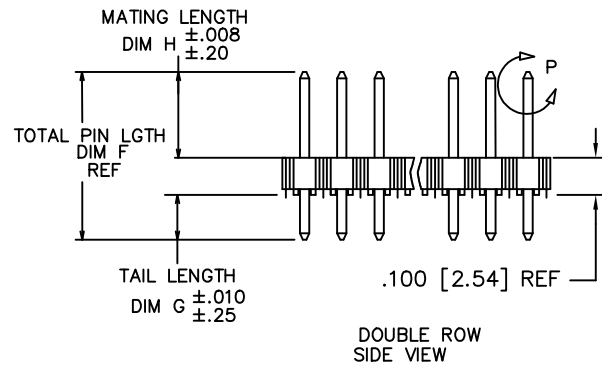
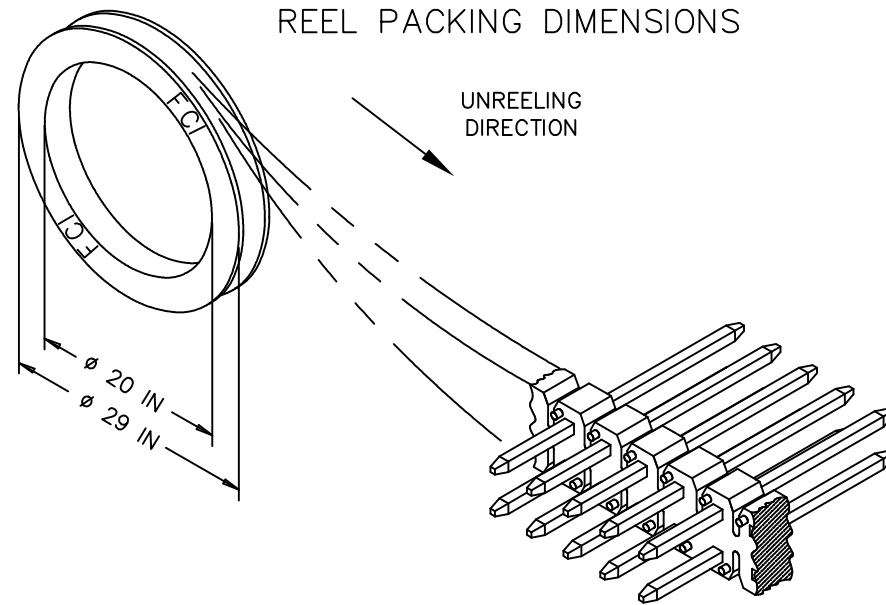
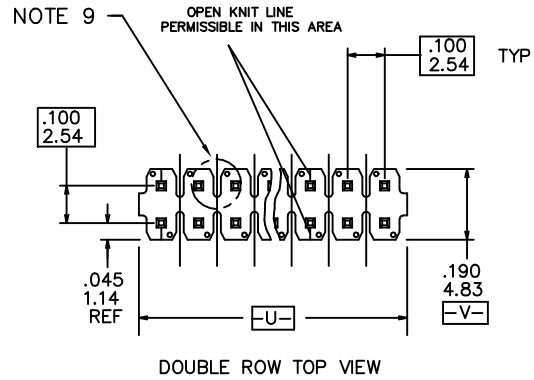
Amphenol FCI

© 2016 AFCI

D

D

BERGSTRIPTM HEADER



mat'l. code SEE NOTES 1 & 2		surface ISO 1302 ✓		tolerance ISO 406 ISO 1101		projection INCH/MM		product family BERGSTIK	
ltr		ecn no		dr		date		title BERGSTIK II HEADER D/R .100/2.54cc STRAIGHT	
DL				angles		linear		scale 2:1	
				0°±2'		.XX±0.01/0.3 .XXX±0.005/.XXX±0.13 .XXX±0.0020/.XXX±0.051		dwg no 67996	
		dr		T.BREWBAKER		12/21/94		sheet 3 of 8	
		engr		T.HANNA		07/21/99		size A3	
		chr		J.MURPHY		07/21/99		type Product Customer Drawing	
		appd		T.HANNA		07/21/99			
sheet index		revision sheet		DK		1-8			

PRODUCT NUMBER	TOT. PIN LGTH.		TAIL LENGTH		MATING LENGTH		PACKAGING	NOTES	BERGSTRIIP™ AVAILABLE	LF OPTION	
	DIM F	DIM F	DIM G	DIM G	DIM H	DIM H					
	ENGLISH	METRIC	ENGLISH	METRIC	ENGLISH	METRIC					
55005-YYYH	0.597	15.16	0.095	2.41	0.402	10.21	POLY BAGS	-	YES	OB NOTE 1,13	
55030-YYYH	0.630	16.00	0.150	3.81	0.380	9.65	POLY BAGS	-	YES		
67996-XY	0.425	10.80	0.095	2.41	0.230	5.84	POLY BAGS/TUBES	-	YES		
67997-XY	0.450	11.43	0.120	3.05	0.230	5.84	POLY BAGS/TUBES	-	YES		
67997-YYYH	0.450	11.43	0.120	3.05	0.230	5.84	POLY BAGS/TUBES	-	YES		
67998-XY	0.525	13.34	0.107	2.72	0.318	8.08	POLY BAGS/TUBES	-	YES		
67999-XY	0.548	13.92	0.130	3.30	0.318	8.08	POLY BAGS	-	NO		
68438-XY	0.555	14.10	0.225	5.72	0.230	5.84	POLY BAGS/TUBES	-	NO		OB
68439-XY	0.720	18.29	0.120	3.05	0.500	12.70	POLY BAGS	-	NO		
68464-XY	0.650	16.51	0.120	3.05	0.430	10.92	POLY BAGS/TUBES	-	NO		OB
68481-XY	0.480	12.19	0.095	2.41	0.285	7.24	POLY BAGS/TUBES	-	NO		
68482-XY	0.938	23.83	0.318	8.08	0.520	13.21	POLY BAGS	-	NO		
68491-XY	0.475	12.07	0.120	3.05	0.255	6.48	POLY BAGS/TUBES	-	NO		
68600-XY	0.825	20.96	0.115	2.92	0.610	15.49	POLY BAGS	-	NO		
68601-XY	0.620	15.75	0.120	3.05	0.400	10.16	POLY BAGS	-	NO		
68602-XY	0.480	12.19	0.150	3.81	0.230	5.84	BAGS/TAPE&REEL	-	YES		
68690-XY	0.533	13.54	0.115	2.92	0.318	8.08	POLY BAGS	-	NO		
68691-XY	0.538	13.67	0.120	3.05	0.318	8.08	POLY BAGS	-	YES		
68692-XY	0.430	10.92	0.100	2.54	0.230	5.84	POLY BAGS	-	NO		
68693-XY	0.938	23.83	0.520	13.21	0.318	8.08	POLY BAGS	-	NO		
68716-XY	0.828	21.03	0.410	10.41	0.318	8.08	POLY BAGS	-	NO	OB	
68734-XY	0.615	15.62	0.230	5.84	0.285	7.24	POLY BAGS	-	NO		
68737-XY	0.440	11.18	0.110	2.79	0.230	5.84	POLY BAGS	-	YES		
68738-XY	0.615	15.62	0.115	2.92	0.400	10.16	POLY BAGS	-	NO		
68739-XY	0.486	12.34	0.156	3.96	0.230	5.84	POLY BAGS	-	NO		
68743-XY	0.638	16.21	0.220	5.59	0.318	8.08	POLY BAGS	-	NO		
68749-XY	0.838	21.29	0.420	10.67	0.318	8.08	POLY BAGS	-	NO		
68779-XY	0.736	18.69	0.318	8.08	0.318	8.08	POLY BAGS	-	NO		
68783-XY	0.375	9.53	0.045	1.14	0.230	5.84	POLY BAGS	-	NO		
68799-XY	0.925	23.50	0.595	15.11	0.230	5.84	POLY BAGS	-	NO		

Amphenol FCI

© 2016 AFCE

D

mat'l. code		surface		tolerance		projection		product family	
SEE NOTES 1 & 2		ISO 1302 ✓		ISO 406 ISO 1101				BERGSTIK	
ltr		ecn no		dr		date		title	
DL								BERGSTIK II HEADER D/R	
								.100/2.54cc STRAIGHT	
								dwg no	
								sheet 4 of 8	
								size	
								A3	
								type Product Customer Drawing	
sheet index		revision sheet		DK					
		1-8							

PRODUCT NUMBER	TOT. PIN LGTH.		TAIL LENGTH		MATING LENGTH		PACKAGING	NOTES	BERGSTRIPTM AVAILABLE	LF OPTION
	DIM F	DIM F	DIM G	DIM G	DIM H	DIM H				
	ENGLISH	METRIC	ENGLISH	METRIC	ENGLISH	METRIC				
69132-XYY	0.760	19.30	0.120	3.05	0.540	13.72	POLY BAGS/TUBES	-	NO	OB NOTE 1,13
69133-XYY	0.615	15.62	0.285	7.24	0.230	5.84	POLY BAGS	-	NO	
69157-XYY	0.410	10.41	0.110	2.79	0.200	5.08	POLY BAGS	-	NO	
71217-XYYH	1.000	25.40	0.450	11.43	0.450	11.43	POLY BAGS	-	NO	
71222-XYYH	0.850	21.59	0.250	6.35	0.500	12.70	POLY BAGS	-	NO	
72273-XYYH	0.725	18.42	0.110	2.79	0.515	13.08	POLY BAGS	-	NO	
72448-XYYH	0.658	16.71	0.172	4.37	0.386	9.80	POLY BAGS	-	NO	
72455-XYYH	0.598	15.19	0.180	4.57	0.318	8.08	POLY BAGS	-	NO	
72455-632HG	0.598	15.19	0.180	4.57	0.318	8.08	GPAX	NOTE 1	NO	
73503-XYYH	0.420	10.67	0.120	3.05	0.200	5.08	POLY BAGS	-	NO	
73596-XYYH	0.795	20.19	0.110	2.79	0.585	14.86	POLY BAGS	-	NO	
74317-XYYH	0.532	13.51	0.309	7.85	0.123	3.12	POLY BAGS	NOTE 11	NO	
74318-XYYH	0.592	15.04	0.369	9.37	0.123	3.12	POLY BAGS	NOTE 11	NO	
74999-XYYH	0.508	12.90	0.090	2.29	0.318	8.08	POLY BAGS	-	NO	
78212-XYY	0.710	18.03	0.350	8.89	0.260	6.60	POLY BAGS	-	NO	
78233-XYY	0.568	14.43	0.150	3.81	0.318	8.08	POLY BAGS	-	NO	
78269-XYY	0.385	9.78	0.095	2.41	0.190	4.83	POLY BAGS	-	NO	
78286-XYY	0.500	12.70	0.160	4.06	0.240	6.10	POLY BAGS/TUBES	-	NO	
78932-XYY	UNAVAILABLE	UNAVAILABLE	UNAVAILABLE	UNAVAILABLE	UNAVAILABLE	UNAVAILABLE		-	-	
78933-XYY	0.695	17.65	0.285	7.24	0.310	7.87	POLY BAGS	-	NO	
78988-XYY	0.540	13.72	0.135	3.43	0.305	7.75	POLY BAGS	-	NO	
78989-XYY	UNAVAILABLE	UNAVAILABLE	UNAVAILABLE	UNAVAILABLE	UNAVAILABLE	UNAVAILABLE		-	-	
78990-XYY	UNAVAILABLE	UNAVAILABLE	UNAVAILABLE	UNAVAILABLE	UNAVAILABLE	UNAVAILABLE		-	-	
78991-XYY	UNAVAILABLE	UNAVAILABLE	UNAVAILABLE	UNAVAILABLE	UNAVAILABLE	UNAVAILABLE		-	-	
78992-XYY	UNAVAILABLE	UNAVAILABLE	UNAVAILABLE	UNAVAILABLE	UNAVAILABLE	UNAVAILABLE		-	-	
78993-XYY	UNAVAILABLE	UNAVAILABLE	UNAVAILABLE	UNAVAILABLE	UNAVAILABLE	UNAVAILABLE		-	-	
78994-XYY	UNAVAILABLE	UNAVAILABLE	UNAVAILABLE	UNAVAILABLE	UNAVAILABLE	UNAVAILABLE		-	-	

NOTE 1,13

Amphenol FCI

© 2016 AFCI

mat'l. code		surface		tolerance		projection		product family	
SEE NOTES 1 & 2		ISO 1302		ISO 406 ISO 1101				BERGSTIK	
ltr		ecn no		dr		date		title	
DL								BERGSTIK II HEADER D/R	
		angles		linear		INCH/MM		.100/2.54cc STRAIGHT	
		0±2'				scale 2:1		dwg no	
		dr		T.BREWBAKER		12/21/94		sheet 5 of 8	
		enrg		T.HANNA		07/21/99		size	
		chr		J.MURPHY		07/21/99		A3	
		appd		T.HANNA		07/21/99		type	
								Product Customer Drawing	
sheet index		revision sheet		DK					
		1-8							

PRODUCT NUMBER	TOT. PIN LGTH.		TAIL LENGTH		MATING LENGTH		PACKAGING	NOTES	BERGSTRIPTM AVAILABLE	LF OPTION
	DIM F	DIM F	DIM G	DIM G	DIM H	DIM H				
	ENGLISH	METRIC	ENGLISH	METRIC	ENGLISH	METRIC				
78995-YYY	UNAVAILABLE		UNAVAILABLE		UNAVAILABLE			-	-	NOTE 1,13
78996-YYY	UNAVAILABLE		UNAVAILABLE		UNAVAILABLE			-	-	
79242-YYY	0.930	23.62	0.340	8.64	0.490	12.45	POLY BAGS	-	NO	OB
79243-YYY	1.230	31.24	0.390	9.91	0.740	18.80	POLY BAGS	-	NO	OB
79244-YYY	UNAVAILABLE		UNAVAILABLE		UNAVAILABLE			-	-	
79268-YYY	1.020	25.91	0.120	3.05	0.800	20.32	POLY BAGS	-	NO	OB
79271-YYY	1.100	27.94	0.500	12.70	0.500	12.70	POLY BAGS	-	NO	OB
79425-YYY	0.410	10.41	0.120	3.05	0.190	4.83	POLY BAGS	-	NO	
79821-YYY	0.730	18.54	0.200	5.08	0.430	10.92	POLY BAGS	-	NO	
84610-XXYH	0.380	9.65	0.120	3.05	0.160	4.06	POLY BAGS	-	NO	OB
84760-XXYH	0.870	22.09	0.150	3.81	0.620	15.74	POLY BAGS	-	NO	OB
84784-XXYH	1.130	28.70	0.122	3.09	0.908	23.06	POLY BAGS	-	NO	OB
84934-XXYH	1.375	34.93	0.625	15.88	0.650	16.51	POLY BAGS	-	NO	OB
84976-XXYH	0.730	18.54	0.400	10.16	0.230	5.84	POLY BAGS	-	NO	OB
86503-YYY	0.470	11.94	0.120	3.05	0.250	6.35	POLY BAGS	-	NO	
86581-YYY	0.450	11.43	0.120	3.05	0.230	5.84	POLY BAGS	NOTE 8	NO	OB
86817-YYY	0.925	23.50	0.120	3.05	0.705	17.91	POLY BAGS	-	NO	OB
86827-YYY	0.700	17.78	0.120	3.05	0.480	12.19	POLY BAGS	-	NO	OB
86832-YYY	0.525	13.34	0.100	2.54	0.325	8.26	POLY BAGS	-	NO	
86834-YYY	1.335	33.91	0.585	14.86	0.650	16.51	POLY BAGS	-	NO	OB
86836-YYY	0.870	22.10	0.120	3.05	0.650	16.51	POLY BAGS	-	NO	OB
86837-YYY	0.600	15.24	0.120	3.05	0.380	9.65	POLY BAGS	-	NO	
87037-YYY	1.240	31.50	0.120	3.05	1.020	25.91	POLY BAGS	-	NO	OB
87052-YYY	0.990	25.15	0.120	3.05	0.770	19.56	POLY BAGS	-	NO	
87203-YYY	0.545	13.84	0.150	3.81	0.295	7.49	POLY BAGS	-	NO	OB
87344-YYY	1.375	34.93	0.219	5.56	1.056	26.82	POLY BAGS	-	NO	OB

Amphenol FCI

© 2016 AFCI

mat'l. code		surface		tolerance		projection		product family	
SEE NOTES 1 & 2		ISO 1302 <input checked="" type="checkbox"/>		ISO 406 ISO 1101				BERGSTIK	
ltr	ecn no	dr	date	tolerances unless otherwise specified		INCH/MM		title	
DL				angles	linear	.XX&0.01/.03		BERGSTIK II HEADER D/R	
				0±2'		.XXX&0.005/.XXX&0.13		.100/2.54cc STRAIGHT	
						.XXX&0.0020/.XXX&0.051		scale 2:1	
		dr	T.BREWBAKER	12/21/94	Amphenol FCI		dwg no		sheet 6 of 8
		enfr	T.HANNA	07/21/99			67996		size A3
		chr	J.MURPHY	07/21/99			type		Product Customer Drawing
		appd	T.HANNA	07/21/99					
sheet index	revision sheet	DK	1-8						

PRODUCT NUMBER	TOT. PIN LGTH.		TAIL LENGTH		MATING LENGTH		PACKAGING	NOTES	BERGSTRIPTM AVAILABLE	LF OPTION
	DIM F	DIM F	DIM G	DIM G	DIM H	DIM H				
	ENGLISH	METRIC	ENGLISH	METRIC	ENGLISH	METRIC				
87345-XYY	1.218	30.94	0.406	10.31	0.712	18.08	POLY BAGS	-	NO	OB NOTE 1,13
87348-XYY	0.930	23.62	0.100	2.54	0.730	18.54	POLY BAGS	-	NO	
87349-XYY	0.890	22.61	0.110	2.79	0.680	17.27	POLY BAGS	-	NO	
87381-XYY	0.645	16.38	0.100	2.54	0.445	11.30	POLY BAGS	-	NO	
87382-XYY	0.675	17.15	0.100	2.54	0.475	12.07	POLY BAGS	-	NO	
87503-XYH	0.630	16.00	0.110	2.79	0.420	10.67	POLY BAGS	-	NO	
87869-XYY	0.690	17.53	0.230	5.84	0.360	9.14	POLY BAGS	-	NO	
87894-XYY	0.588	14.94	0.170	4.32	0.318	8.08	POLY BAGS	-	NO	
87900-XYY	0.940	23.88	0.120	3.05	0.720	18.29	POLY BAGS	-	NO	
87901-XYY	1.040	26.42	0.120	3.05	0.820	20.83	POLY BAGS	-	NO	
87903-XYY	0.963	24.46	0.337	8.56	0.526	13.36	POLY BAGS	-	NO	
88797-XYY	0.950	24.13	0.320	8.13	0.530	13.46	POLY BAGS	-	NO	
88812-XYY	0.415	10.54	0.085	2.16	0.230	5.84	POLY BAGS/TUBES	NOTE 8	NO	
88886-XYY	1.306	33.17	0.276	7.01	0.930	23.62	POLY BAGS	-	NO	
89446-XYY	0.930	23.62	0.120	3.05	0.710	18.03	POLY BAGS	-	NO	
89540-XYY	0.760	19.30	0.280	7.11	0.380	9.65	POLY BAGS	-	NO	
89542-XYY	1.065	27.05	0.125	3.18	0.840	21.34	POLY BAGS	-	NO	
89639-XYY	1.260	32.00	0.118	3.00	1.042	26.47	POLY BAGS	-	NO	
91828-XYY	0.450	11.43	0.120	3.05	0.230	5.84	TUBES	-	NO	
92417-XYY	0.530	13.46	0.110	2.79	0.320	8.13	POLY BAGS	-	NO	
93216-XYH	0.573	14.55	0.155	3.94	0.318	8.08	POLY BAGS/TUBES	-	NO	
93216-632HG	0.573	14.55	0.155	3.94	0.318	8.08	GPAX	NOTE 1	NO	
93217-XYH	0.395	10.03	0.095	2.41	0.200	5.08	POLY BAGS	-	NO	
93254-XYY	0.563	14.30	0.110	2.79	0.353	8.97	POLY BAGS	-	NO	

Amphenol FCI

© 2016 AFCI

mat'l. code SEE NOTES 1 & 2		surface ISO 1302 <input checked="" type="checkbox"/>		tolerance ISO 406 ISO 1101		projection 		product family BERGSTIK	
ltr	ecn	no	dr	date		tolerances unless otherwise specified		title	
DL						angles	linear	INCH/MM	
						0±2'		scale 2:1	
				dr	T.BREWBAKER	12/21/94		dwg no	
				engr	T.HANNA	07/21/99		sheet 7 of 8	
				chr	J.MURPHY	07/21/99		size	
				appd	T.HANNA	07/21/99		A3	
sheet index		revision sheet		DK			type		Product Customer Drawing
				1-8					

PRODUCT NUMBER	TOT. PIN LGTH.		TAIL LENGTH		MATING LENGTH		PACKAGING	NOTES	BERGSTRIK AVAILABLE	LF OPTION
	DIM F	DIM F	DIM G	DIM G	DIM H	DIM H				
	ENGLISH	METRIC	ENGLISH	METRIC	ENGLISH	METRIC				
94010 -XYYH	0.756	19.20	0.350	8.89	0.306	7.77	POLY BAGS	---	NO	OB NOTE 1,13
94532 -XYYH	1.250	31.75	0.450	11.43	0.700	17.78	POLY BAGS	---	NO	
95105 -XYY	0.370	9.40	0.126	3.20	0.144	3.66	POLY BAGS	---	NO	
95645 -XYYH	0.350	8.89	0.100	2.54	0.150	3.81	POLY BAGS	---	NO	
95652 -XYYH	0.500	12.70	0.070	1.78	0.330	8.38	POLY BAGS	---	NO	
95665 -XYYH	0.835	21.21	0.335	8.51	0.400	10.16	POLY BAGS	---	NO	
95687-XYYH	0.820	20.83	0.360	9.14	0.360	9.14	POLY BAGS	-	NO	
95712 -XYYH	1.090	27.69	0.110	2.79	0.880	22.35	POLY BAGS	---	NO	
95727 -XYYH	0.825	20.96	0.110	2.79	0.615	15.62	POLY BAGS	---	NO	
98181 -XYYH	0.760	19.30	0.218	5.54	0.442	11.23	POLY BAGS	---	NO	
98217 -XYYH	0.756	19.20	0.328	8.33	0.328	8.33	POLY BAGS	---	NO	
98329 -XYYH	0.930	23.62	0.415	10.54	0.415	10.54	POLY BAGS	---	NO	
98854 -XYYH	0.450	11.43	0.120	3.05	0.230	5.84	TUBES	---	NO	
10017852 -XYYH	0.450	11.43	0.125	3.18	0.225	5.72	POLYBAGS	---	NO	OB NOTE 1,13
10074747 -XYYH	0.850	21.59	0.520	13.21	0.230	5.84	POLYBAGS	---	NO	

Amphenol FCI

© 2016 AFCI

mat'l. code		surface		tolerance		projection		product family	
SEE NOTES 1 & 2		ISO 1302 ✓		ISO 406 ISO 1101				BERGSTIK	
ltr	ecn	no	dr	date	tolerances unless otherwise specified		title		
DL					angles	linear	INCH/MM		
					0±2'	.XX±0.01/0.3	BERGSTIK II HEADER D/R		
						.XXX±0.005/.XXX±0.13	.100/2.54cc STRAIGHT		
						.XXX±0.0020/.XXX±0.051	scale 2:1		
					dr	T.BREWBAKER	12/21/94	dwg no	
					enfr	T.HANNA	07/21/99	sheet 8 of 8 size	
					chr	J.MURPHY	07/21/99	67996 A3	
					appd	T.HANNA	07/21/99	type Product Customer Drawing	
sheet index	revision sheet	DK							
	1-8								