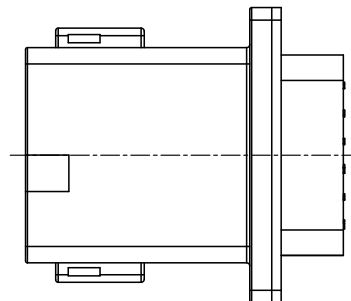
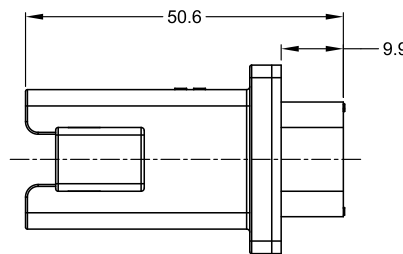
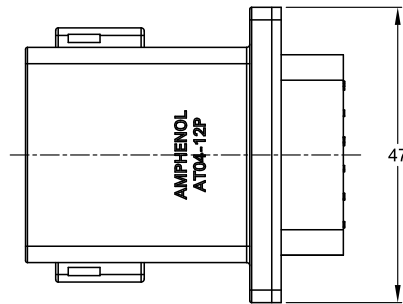
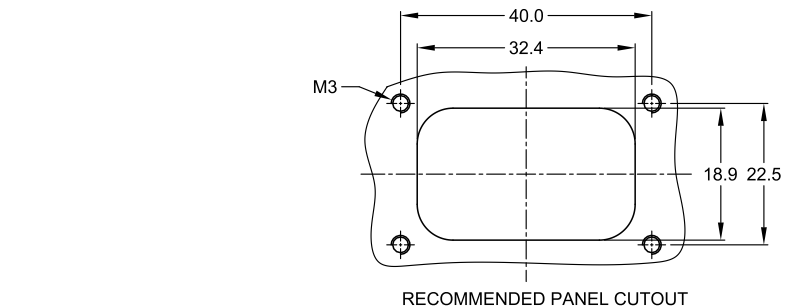
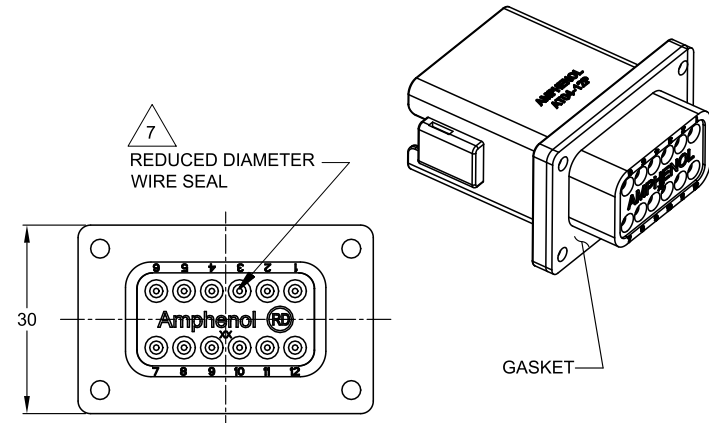
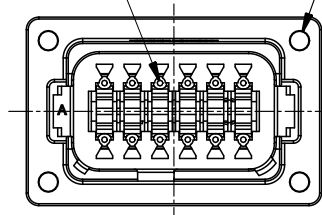


| REVISIONS |        |                            |         |        |       |
|-----------|--------|----------------------------|---------|--------|-------|
| REV       | ECO    | DESCRIPTION                | DATE    | BY     | APPR  |
| A3        | -      | RELEASE NEW DRAWING FORMAT | 03JAN14 | JARRY  | -     |
| A4        | -      | ADD TORQUE REQUEST         | 10OCT15 | SULLEN | TOMMY |
| A5        | C0628S | ADD KEY C,D                | 01MAR17 | JONY   | TOMMY |
| A6        | C1553S | UPDATE THE APPEARANCE      | 16DEC21 | LOUIE  | TOMMY |



WILL ACCEPT PLASTIC  
THREAD SCREWS: EXAMPLE: M3  
RECOMMENDED TORQUE  
VALUES: 0.15-0.35 N.m

REQUIRES CONTACT  
RETENTION WEDGE AW12P



NOTES: UNLESS OTHERWISE SPECIFIED

- SEE SHEET 2 FOR KEY ARRANGEMENTS AND COLORS.
- MATERIAL:  
HOUSING: THERMOPLASTIC  
SEAL: SILICONE RUBBER
- MODIFICATIONS: FLANGE, REDUCED DIAMETER WIRE SEAL
- SPECIFICATIONS:
  - CURRENT RATING: 13 AMPS
  - OPERATING TEMPERATURE: -55°C TO +125°C
  - DIELECTRIC WITHSTANDING VOLTAGE: LESS THAN 2 MILLIAMPS CURRENT LEAKAGE @ 1500 VOLTS AC.
  - INSULATION RESISTANCE: 1000 MEGOHMS MIN @ 25°C.
  - MOISTURE RESISTANCE: IP69K & IP68 (1M OF WATER FOR A PERIOD OF 24 HOURS, MATED CONDITION)
  - MATING CYCLE DURABILITY: 100 CYCLES
  - RoHS COMPLIANT
- MATING PART: AT06-12SX\* PLUG (X = A,B,C,D KEYS; \* = MODIFICATIONS AND COLORS)
- ALL DIMENSIONS ARE FOR REFERENCE USE ONLY.

CONTACT SIZE AND REAR SEAL WIRE RANGE:

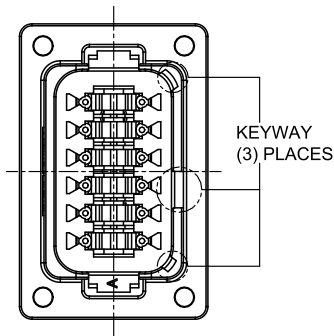
| CONTACT SIZE | MIN. INSUL O.D.   | MAX. INSUL O.D.   | TYPICAL WIRE RANGE |
|--------------|-------------------|-------------------|--------------------|
| 16           | 1.35 mm (.053 in) | 3.05 mm (.120 in) | 14 - 20 AWG        |

| SEE SHEET 2                           |             | DESCRIPTION  |  | ITEM     |
|---------------------------------------|-------------|--|--|----------|
| QUANTITY                              | PART NUMBER | MATERIALS LIST   |  |          |
| UNLESS OTHERWISE SPECIFIED            |             | SIGNATURES   |  | DATE     |
| 1) All dimensions are in metric (mm). |             | DRAWN: LOUIE   |  | 16DEC21  |
| 2) Tolerances are as follows:         |             | CHECKED: ORION   |  | 17DEC21  |
| 1 PL DEC ±0.30                        |             | ENGINEER:  |  |          |
| 2 PL DEC ±0.15                        |             | APPROVAL: TOMMY  |  | 20DEC21  |
| 3 PL DEC ±0.08                        |             | CUSTOMER:  |  |          |
| 3) Note reference = $\Delta$          |             | THIS DRAWING IS SUPPLIED FOR INFORMATION ONLY. DESIGN FEATURES, SPECIFICATIONS AND PERFORMANCE DATA SHOWN HEREON ARE THE PROPERTY OF THE AMPHENOL CORPORATION. NO RIGHTS OF REPRODUCTION ARE IMPLIED. ALL DIMENSIONS ARE SUBJECT TO NORMAL MANUFACTURING VARIATIONS. |  |          |
| MATERIAL SPECIFICATIONS:              |             | SIZE   |  | REVISION |
| PROCESS SPECIFICATIONS:               |             | TYPE   |  |          |
| NEXT ASSY:                            |             | DWG NO:  |  |          |
|                                       |             | SCALE: NONE  |  |          |
|                                       |             | B C-   |  | A6       |
|                                       |             | AT04-12PX-PM02   |  |          |
|                                       |             | SINE SYSTEMS - www.amphenol-sine.com<br>44724 Morley Drive<br>Clinton Township, MI 48036   |  |          |
|                                       |             | RECEPTACLE, 12 PIN, FLANGE, REDUCED DIAMETER, KEYED, AT SERIES   |  |          |
|                                       |             | SHEET 1 OF 2   |  |          |

TITLE: RECEPTACLE, 12 PIN, KEYED, REDUCED SEAL, AT SERIES  
DWG NO: AT04-12PX-PM02  
REV: A6  
SH: 1  
OF: 2

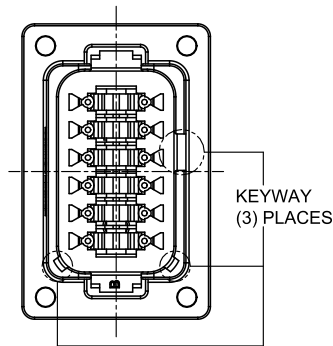
| REVISIONS |        |                            |         |        |       |
|-----------|--------|----------------------------|---------|--------|-------|
| REV       | ECO    | DESCRIPTION                | DATE    | BY     | APPR  |
| A3        | -      | RELEASE NEW DRAWING FORMAT | 03JAN14 | JARRY  | -     |
| A4        | -      | ADD TORQUE REQUEST         | 10OCT15 | SULLEN | TOMMY |
| A5        | C0628S | ADD KEY C,D                | 01MAR17 | JONY   | TOMMY |
| A6        | C1553S | UPDATE THE APPEARANCE      | 16DEC21 | LOUIE  | TOMMY |

P/N AT04-12PA-PM02  
KEY-A CONFIGURATION  
STANDARD COLOR: GREY



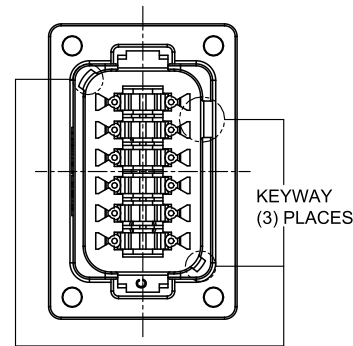
| KEY-A CONFIGURATION |                |
|---------------------|----------------|
| COLOR               | PART NUMBER    |
| GREY                | AT04-12PA-PM02 |

P/N AT04-12PB-PM02  
KEY-B CONFIGURATION  
STANDARD COLOR: BLACK



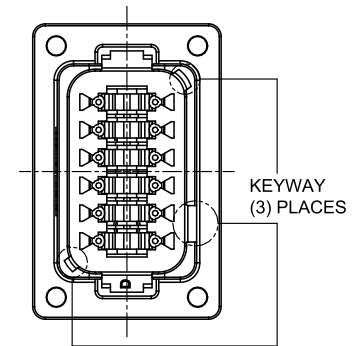
| KEY-B CONFIGURATION |                |
|---------------------|----------------|
| COLOR               | PART NUMBER    |
| BLACK               | AT04-12PB-PM02 |

P/N AT04-12PC-PM02  
KEY-C CONFIGURATION  
STANDARD COLOR: GREEN



| KEY-C CONFIGURATION |                |
|---------------------|----------------|
| COLOR               | PART NUMBER    |
| GREEN               | AT04-12PC-PM02 |

P/N AT04-12PD-PM02  
KEY-D CONFIGURATION  
STANDARD COLOR: BROWN



| KEY-D CONFIGURATION |                |
|---------------------|----------------|
| COLOR               | PART NUMBER    |
| BROWN               | AT04-12PD-PM02 |

NOTE:

OTHER COLORS SHOWN ARE AVAILABLE VIA SPECIAL ORDER.

TITLE: RECEPTACLE, 12 PIN, KEYED, REDUCED SEAL, AT SERIES  
DWG NO.: AT04-12PX-PM02  
REV: A6  
SH: 2  
OF: 2

| SEE SHEET 2                           |  | DESCRIPTION  |  | ITEM |
|---------------------------------------|--|--|--|------|
| PART NUMBER                           |  | DESCRIPTION  |  | ITEM |
| QUANTITY                              |  |  |  |      |
| MATERIALS LIST                        |  |  |  |      |
| UNLESS OTHERWISE SPECIFIED            |  | SIGNATURES   |  |      |
| 1) All dimensions are in metric (mm). |  | DATE   |  |      |
| 2) Tolerances are as follows:         |  | DRAWN: LOUIE 16DEC21   |  |      |
| 1 PL DEC ±0.30                        |  | CHECKED: ORION 17DEC21   |  |      |
| 2 PL DEC ±0.15                        |  | ENGINEER:  |  |      |
| 3 PL DEC ±0.08                        |  | APPROVAL: TOMMY 20DEC21  |  |      |
| 3) Note reference =                   |  | CUSTOMER:  |  |      |
| MATERIAL SPECIFICATIONS:              |  | THIS DRAWING IS SUPPLIED FOR INFORMATION ONLY. DESIGN FEATURES, SPECIFICATIONS AND PERFORMANCE DATA SHOWN HEREON ARE THE PROPERTY OF THE AMPHENOL CORPORATION. NO RIGHTS OF REPRODUCTION ARE IMPLIED. ALL DIMENSIONS ARE SUBJECT TO NORMAL MANUFACTURING VARIATIONS. |  |      |
| PROCESS SPECIFICATIONS:               |  | SIZE: B C- TYPE: DWG NO: AT04-12PX-PM02 REVISION: A6   |  |      |
| NEXT ASSY:                            |  | SCALE: NONE SHEET 2 OF 2   |  |      |

**Amphenol**

Sine Systems - www.amphenol-sine.com  
44724 Morley Drive  
Clinton Township, MI 48036

RECEPTACLE, 12 PIN, FLANGE, REDUCED DIAMETER, KEYED, AT SERIES

# A Series™ - Contact Size 16 Options (Works with: AT, ATV, AHD-9, ARC, DuraMate and PanelMate Series)

| Machined Contacts, Sockets & Pins |  |      |       |          |
|-----------------------------------|--|------|-------|----------|
| Part Number                       | Description                            | Size | AWG   | Type     |
| AT60-215-1631                     | Male Contact - Pin, Gold-plated        | 16   | 14    | Machined |
| AT62-209-1631                     | Female Contact - Socket, Gold-plated   | 16   | 14    | Machined |
| AT60-215-16141                    | Male Contact - Pin, Nickel-plated      | 16   | 14    | Machined |
| AT62-209-16141                    | Female Contact - Socket, Nickel-plated | 16   | 14    | Machined |
| AT60-202-1631                     | Male Contact - Pin, Gold-plated        | 16   | 16-20 | Machined |
| AT62-201-1631                     | Female Contact - Socket, Gold-plated   | 16   | 16-20 | Machined |
| AT60-202-16141                    | Male Contact - Pin, Nickel-plated      | 16   | 16-20 | Machined |
| AT62-201-16141                    | Female Contact - Socket, Nickel-plated | 16   | 16-20 | Machined |
| AT60-202-1631-22                  | Male Contact - Pin, Gold-plated        | 16   | 22-24 | Machined |
| AT62-201-1631-22                  | Female Contact - Socket, Gold-plated   | 16   | 22-24 | Machined |
| AT60-202-16141-22                 | Male Contact - Pin, Nickel-plated      | 16   | 22-24 | Machined |
| AT62-201-16141-22                 | Female Contact - Socket, Nickel-plated | 16   | 22-24 | Machined |

| Tooling - Machined Contacts |   |
|-----------------------------|---|
| Part Number                 | Description   |
| AUTK-16                     | Hand Crimp Tool, Size 16                                      |
| AUTK-100                    | Universal Heavy Duty Contact Crimping Tool Kit, Size 12/16/20 |
| CA-5D12                     | Universal Hand Crimp Tool, Size 12/16/20                      |
| CA-5E12                     | Pneumatic Crimp Tool, Size 12/16/20                           |

| Contact Removal Tools (For both Machined or Stamped & Formed Contacts) |  |
|--|--|
| Part Number  | Description                            |
| ATRT-100   | Contact and Wedgelock Extraction Tool  |
| AT11-310-1605  | Contact Removal Tool, Plastic, Size 16 |

| Sealing Plugs (For both Machined or Stamped & Formed Contacts) |   |
|--|---|
| Part Number  | Description                                     |
| A114017  | Sealing Plug, Size 16, White                    |
| A114017-SR   | Sealing Plug, Size 16, SR01 Series, Black       |
| AT13-217-1605  | Locking Sealing Plug, Size 16, Grey             |
| AT13-217-1605-SR   | Locking Sealing Plug, Size 16, SR01 Series, Red |

| Stamped & Formed Contacts, Sockets & Pins |  |      |       |                  |
|---|--|------|-------|------------------|
| Part Number                               | Description                            | Size | AWG   | Type             |
| AT60-14-0122                              | Male Contact - Pin, Nickel-plated      | 16   | 14-18 | Stamped & Formed |
| AT62-14-0122                              | Female Contact - Socket, Nickel-plated | 16   | 14-18 | Stamped & Formed |
| AT60-14-0144                              | Male Contact - Pin, Gold-plated        | 16   | 14-18 | Stamped & Formed |
| AT62-14-0144                              | Female Contact - Socket, Gold-plated   | 16   | 14-18 | Stamped & Formed |
| AT60-16-0122                              | Male Contact - Pin, Nickel-plated      | 16   | 16-18 | Stamped & Formed |
| AT62-16-0122                              | Female Contact - Socket, Nickel-plated | 16   | 16-18 | Stamped & Formed |
| AT60-16-0144                              | Male Contact - Pin, Gold-plated        | 16   | 16-18 | Stamped & Formed |
| AT62-16-0144                              | Female Contact - Socket, Gold-plated   | 16   | 16-18 | Stamped & Formed |
| AT60-16-0622                              | Male Contact - Pin, Nickel-plated      | 16   | 16-20 | Stamped & Formed |
| AT62-16-0622                              | Female Contact - Socket, Nickel-plated | 16   | 16-20 | Stamped & Formed |
| AT60-16-0644                              | Male Contact - Pin, Gold-plated        | 16   | 16-20 | Stamped & Formed |
| AT62-16-0644                              | Female Contact - Socket, Gold-plated   | 16   | 16-20 | Stamped & Formed |
| AT60-16-0677                              | Male Contact - Pin, Tin-plated         | 16   | 16-20 | Stamped & Formed |
| AT62-16-0677                              | Female Contact - Socket, Tin-plated    | 16   | 16-20 | Stamped & Formed |
| AT60-16-0822                              | Male Contact - Pin, Nickel-plated      | 16   | 20-22 | Stamped & Formed |
| AT62-16-0822                              | Female Contact - Socket, Nickel-plated | 16   | 20-22 | Stamped & Formed |
| AT60-16-0844                              | Male Contact - Pin, Gold-plated        | 16   | 20-22 | Stamped & Formed |
| AT62-16-0844                              | Female Contact - Socket, Gold-plated   | 16   | 20-22 | Stamped & Formed |

| Tooling - Stamped & Formed Contacts |                                     |
|-------------------------------------|-------------------------------------|
| MFX-3950                            | Crimp Die - Size 16, 18-20AWG       |
| MFX-3953                            | Crimp Die - Size 16, 16-18AWG       |
| MFX-3975                            | Crimp Die - Size 16, 14-16AWG       |
| MFX-3990                            | Crimp Die - Size 16, 20-22AWG       |
| ATT-16-00                           | Hand Crimp Tool - Size 16, 14-16AWG |
| ATT-16-01                           | Hand Crimp Tool - Size 16, 18-20AWG |
| ATT-1612-03                         | Hand Crimp Tool - Size 16, 20-22AWG |