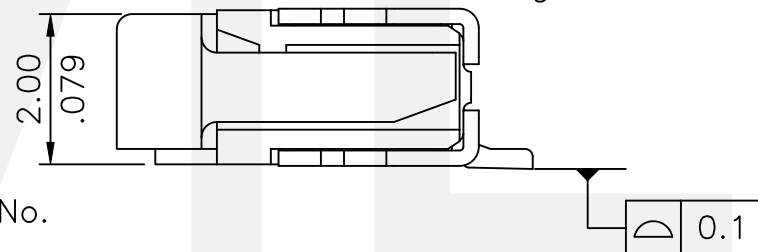


### Ordering Code

CF20 \*\* 1 D 0 \*0 -NH  
 ① ② ③ ④ ⑤ ⑥ ⑦

- ① Series No.
- ② No. of Circuits
- ③ Plating code:  
1 = 3.05 μm (120 μ") Min. Matte Tin  
over 0.76 μm (30 μ") Nickel
- ④ Contact style: D = Downside contact
- ⑤ Color: 0 = Nature
- ⑥ Other option: R0 = Tape & Reel  
T0 = Tube Packing
- ⑦ Other option:  
NH = For Lead Free IR Processes  
and Halogen-Free

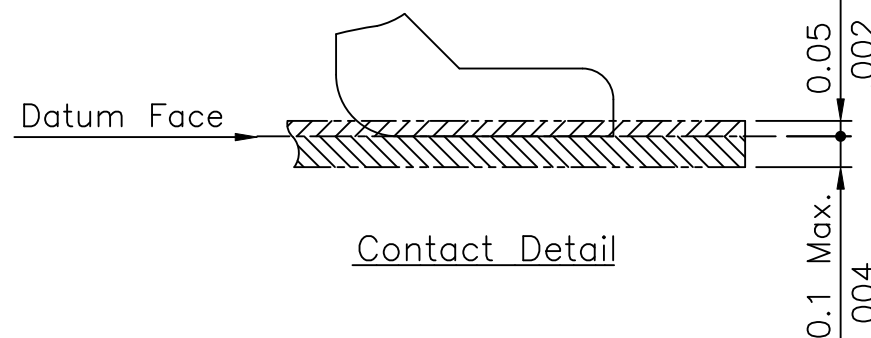


A = 0.50 \* No. of Spaces

B = A + 6.0

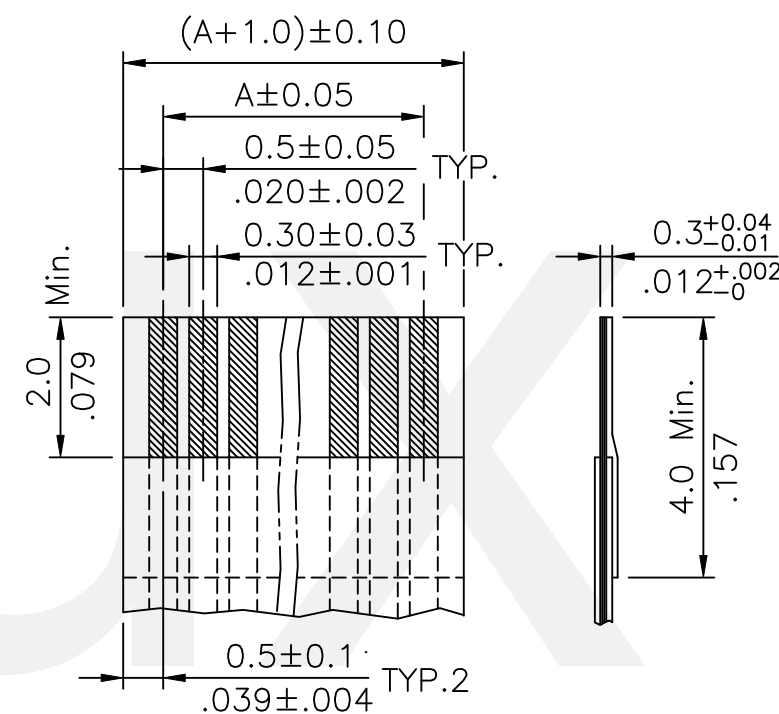
C = A + 1.1

\* Available in 4 through 55 circuits

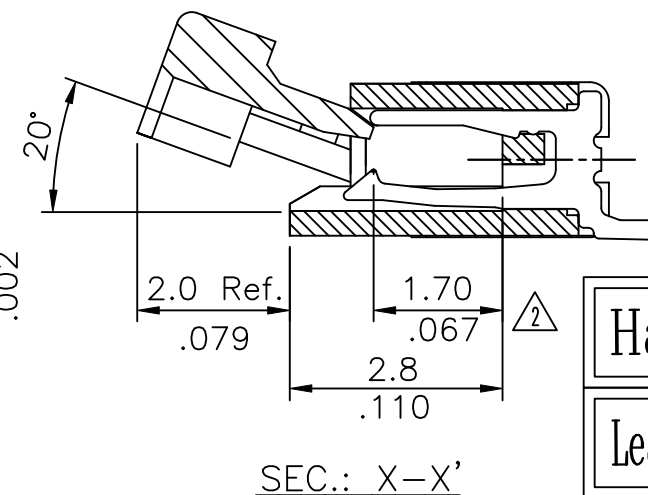


Material :

- \* Body : High temperature plastic UL 94V-0  
Color Nature
- \* Slider : High temperature plastic UL 94V-0  
Color Black
- \* Contact : Copper alloy with Matte Tin plated
- \* Fixed tab : Copper alloy with Matte Tin plated



Accommodated FFC/FPC

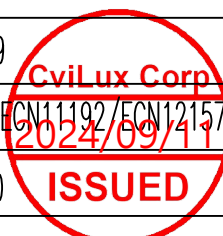


Halogen-Free

Lead Free Process

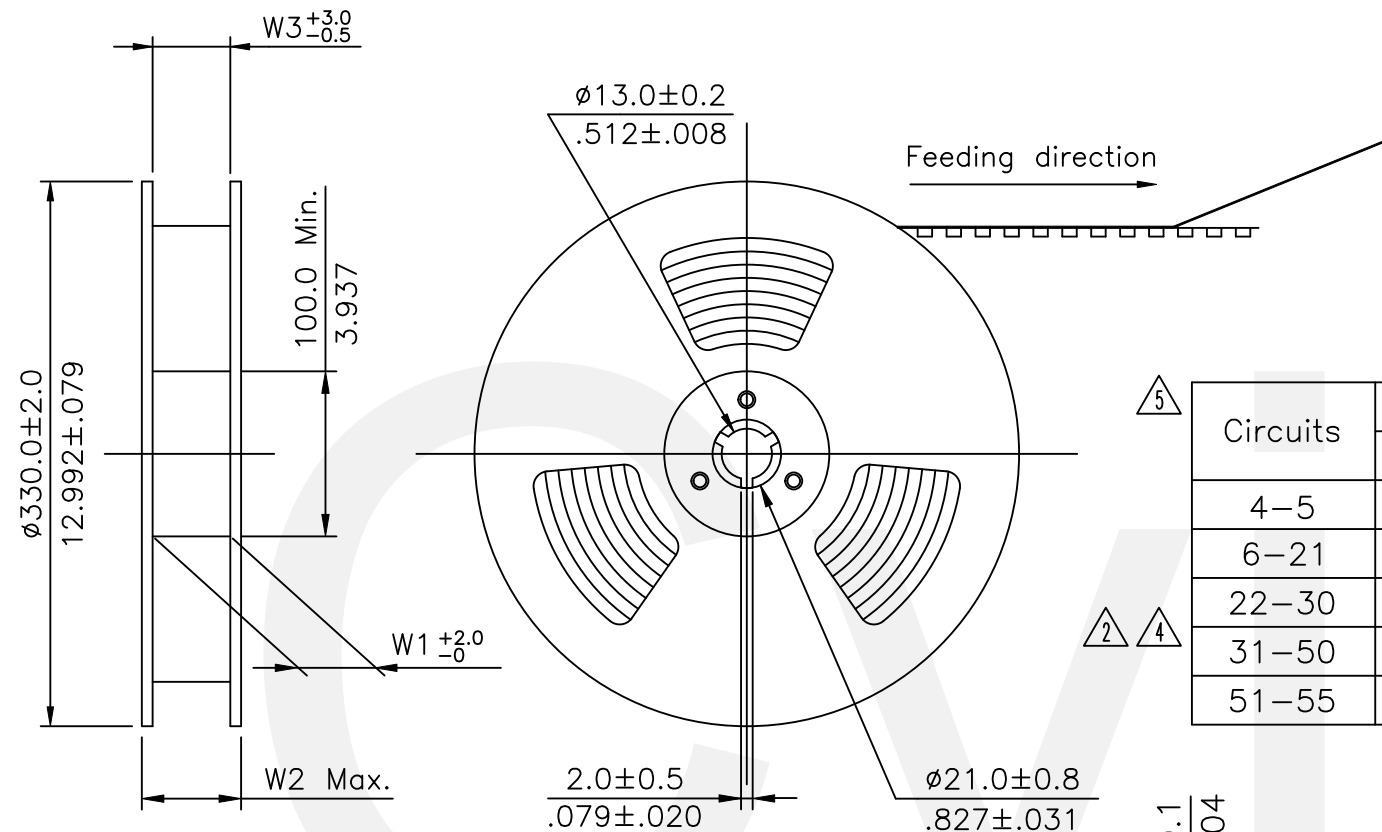
RoHS Compliant

⑥	Wayne	9/09-24'	ECNT123179/ECRB123029		DATE	UNIT: mm / inch	TITLE: 0.50mm(.031") ZIF FFC/FPC DOWNSIDE CONTACT SURFACE MOUNT CONNECTOR	 瀚荃股份有限公司 CviLux Corporation
⑤	Yushu	7/04-19'	ECRB119036/ECNT119159	DRAWN BY: Wayne	9/10-24'	TOLERANCE UNLESS OTHERWISE SPECIFIED	MATERIAL:	
④	Karen	7/14-12'	ECR11040-1/ECN11179/ECN11192/ECN12157-0	ENGINEER: Sun	9/10-24'	.X ± 0.15/.006 X' ± 1'	FINISH:	
③	Karen	8/25-09'	ECN09434/ECR09116-0	CHECKED BY: Eisley	9/10-24'	.XX ± 0.10/.004 X' ±	DRAWING NO. CF2006SG PART NO. CF20**1D0*0-NH	
SYM	NAME	DATE	REVISIONS	APPROVED BY: Eisley	9/10-24'	.XXX ± 0.05/.002 XX' ±	SCALE 7 / 1 SHEET 1 OF 2	

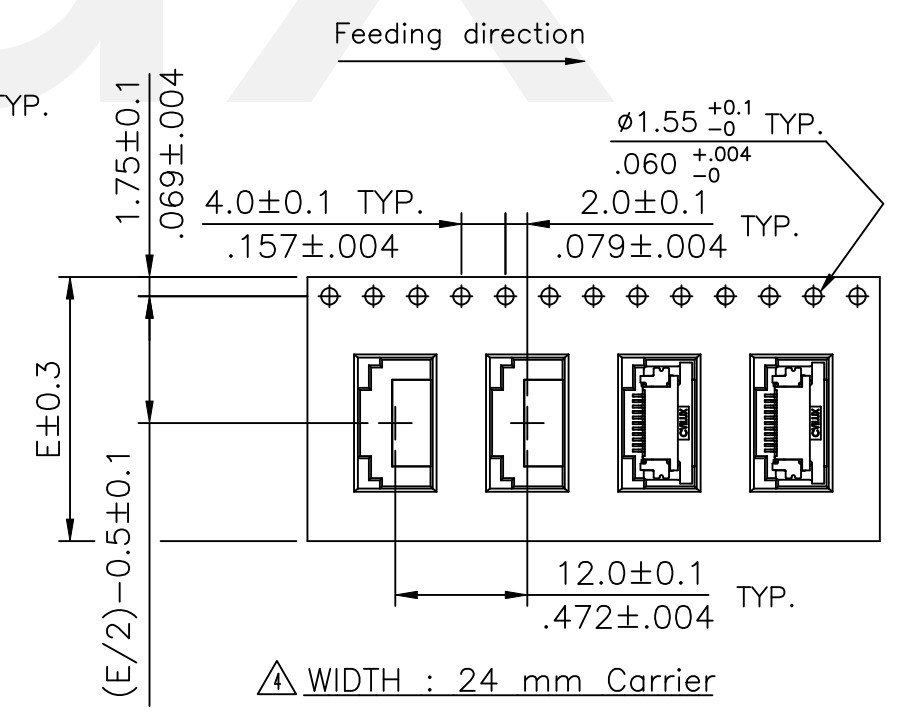
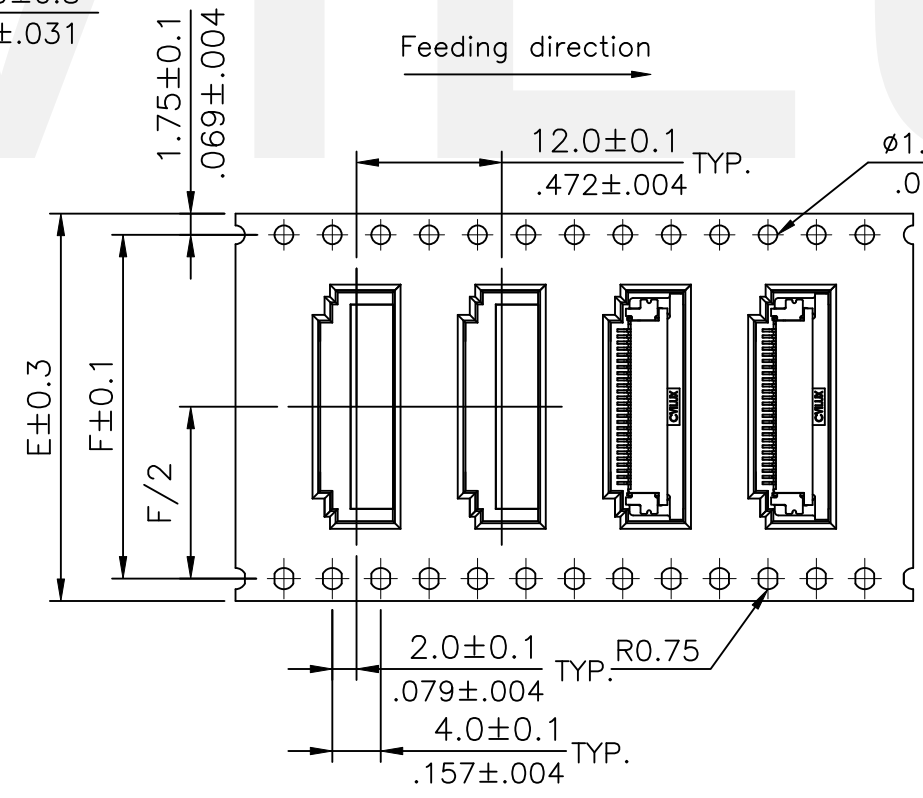
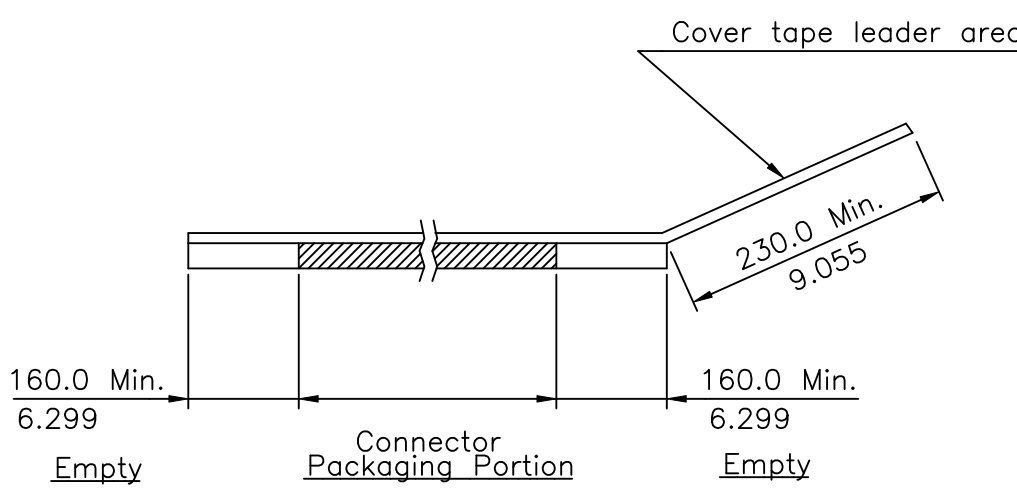


NOTE :

- ⚠️⚠️ \* Reel Material : HIPS
- \* Carrier Material : Clear, Conductive Polystyrene Alloy
- \* Cover Tape Material : Polyester
- \* Cover Tape Peel Strength : 0.1N – 1.3N
- \* Carrier camber is within 1mm in 100mm
- \* All dimensions meet EIA-481-2 & EIA-481-3 requirements.
- \* Quantity : 2000 PCS/Reel




Circuits	Dimension					Packing (Reel/Carton)
	E	F	W1	W2	W3	
4-5	16.0(.630)	-	16.5(.650)	22.5(.885)	16.5(.650)	11
6-21	24.0(.945)	-	24.5(.965)	30.5(1.200)	24.5(.965)	9
22-30	32.0(1.260)	28.40(1.118)	32.5(1.280)	38.5(1.516)	32.5(1.280)	7
31-50	44.0(1.732)	40.40(1.596)	44.5(1.752)	50.5(1.988)	44.5(1.752)	5
51-55	56.0(2.205)	52.40(2.063)	56.5(2.224)	62.5(2.461)	56.5(2.224)	4



⚠️ WIDTH : 32,44,56 mm Carrier

⚠️ WIDTH : 24 mm Carrier

RoHS Compliant

⚠️	Wayne	9/09-24'	ECNT123179/ECRB123029		DATE	UNIT: mm / inch	TITLE: 0.50mm(.031") ZIF FFC/FPC DOWNSIDE CONTACT SURFACE MOUNT CONNECTOR	 瀚荃股份有限公司 CviLux Corporation
⚠️	Yushu	7/04-19'	ECRB119036/ECNT119159	DRAWN BY: Wayne	9/10-24'	TOLERANCE UNLESS OTHERWISE SPECIFIED		
⚠️	Karen	7/14-12'	ECR11040-1/ECN11179/ECN11192/ECN12157-0	ENGINEER: Sun	9/10-24'	.X ±	X' ± 1'	DRAWING NO. CF2006SG PART NO. CF20**1D0*0-NH
⚠️	Karen	8/25-09'	ECN09434/ECR09116-0	CHECKED BY: Eisley	9/10-24'	.XX ±	.X' ±	
SYM	NAME	DATE	REVISIONS	APPROVED BY: Eisley	9/10-24'	.XXX ±	.XX' ±	SHEET 2 OF 2

CviLux Corp  
 2024/09/11  
 ISSUED