

Note: 1. Material:

- △ \* Insulation: High Temperature Polyamide UL 94V-0, Color Nature
- \* Contact: Brass
- \* TAB: Brass with matte Tin plated

2. Plating:

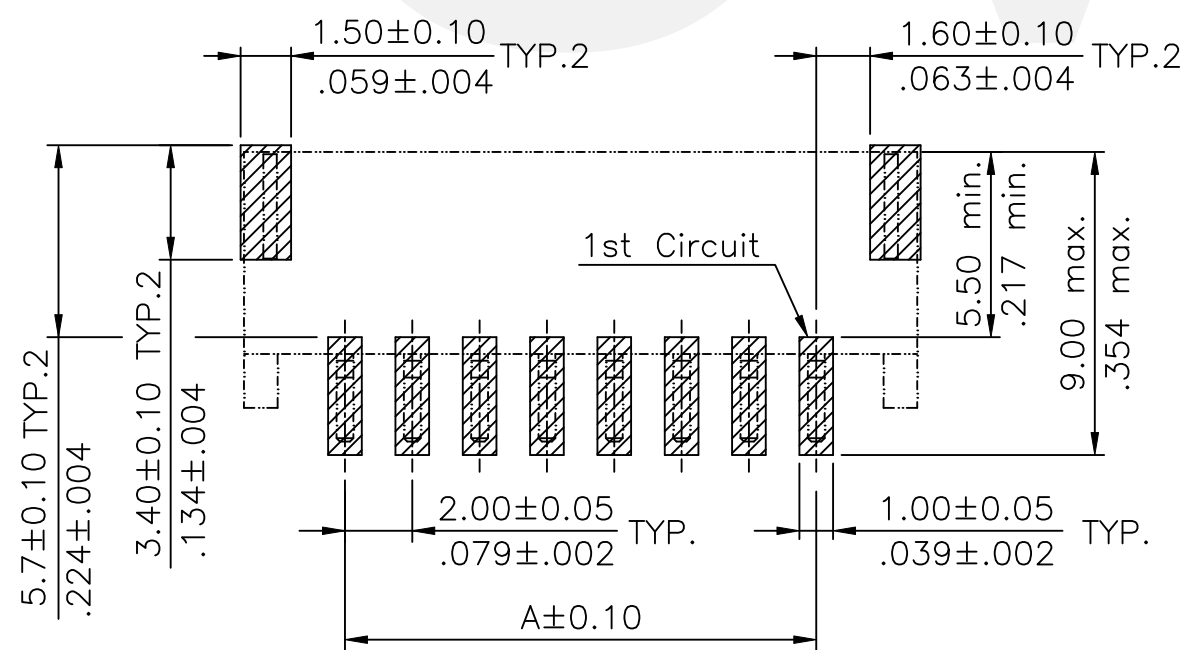
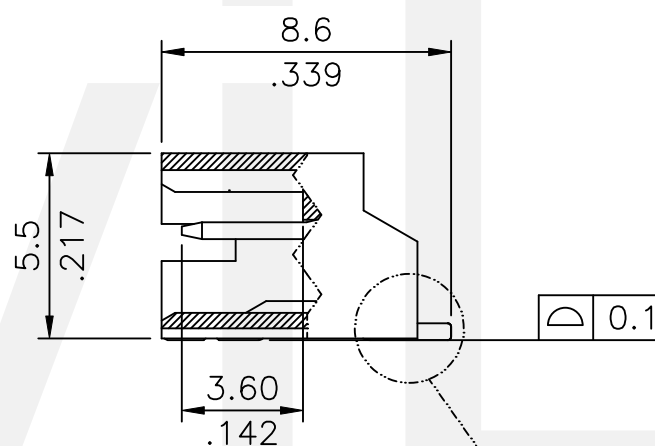
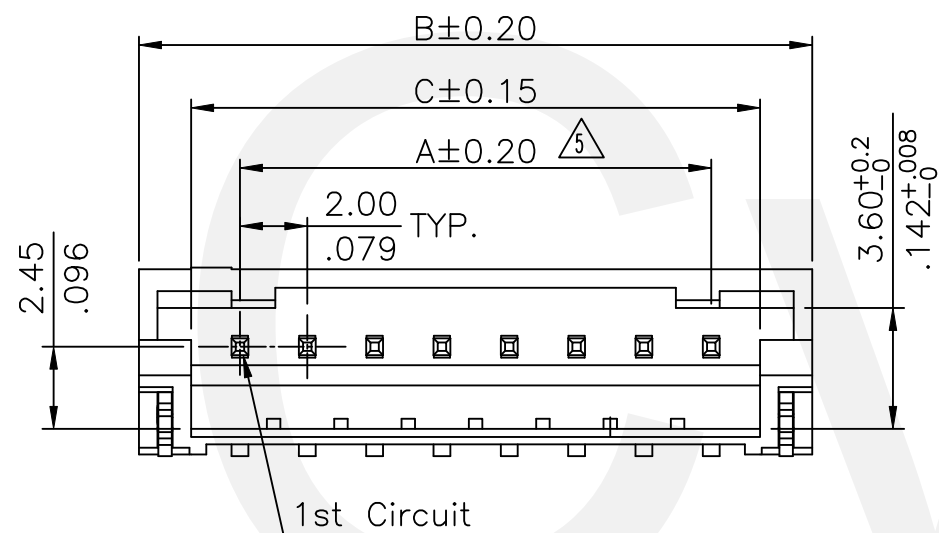
- \* TAB: Matte Tin plated over Nickel

△ 3. For Lead Free IR Reflow Process

Ordering Code:

CI01 \*\* M 1 H \* 0 -NH  
 ① ② ③ ④ ⑤ ⑥ ⑦ ⑧

- ① Series No.
- ② No. of Circuits: 02~16
- ③ Contacts Type: M= SMT
- △④ Plating: 1= Matte Tin Plating over Nickel
- ⑤ Type: H= Right angle
- ⑥ Packing Options:  
R= Tape & Reel  
T= Tube Packing
- ⑦ Option: 0= Standard
- ⑧ NH= For Lead Free IR Reflow Process and Halogen-Free



SEC.:A-A

A = 2.00 x No. of Spaces

B = A + 6.0

C = A + 3.0

\* Available in 2 through 16 circuits

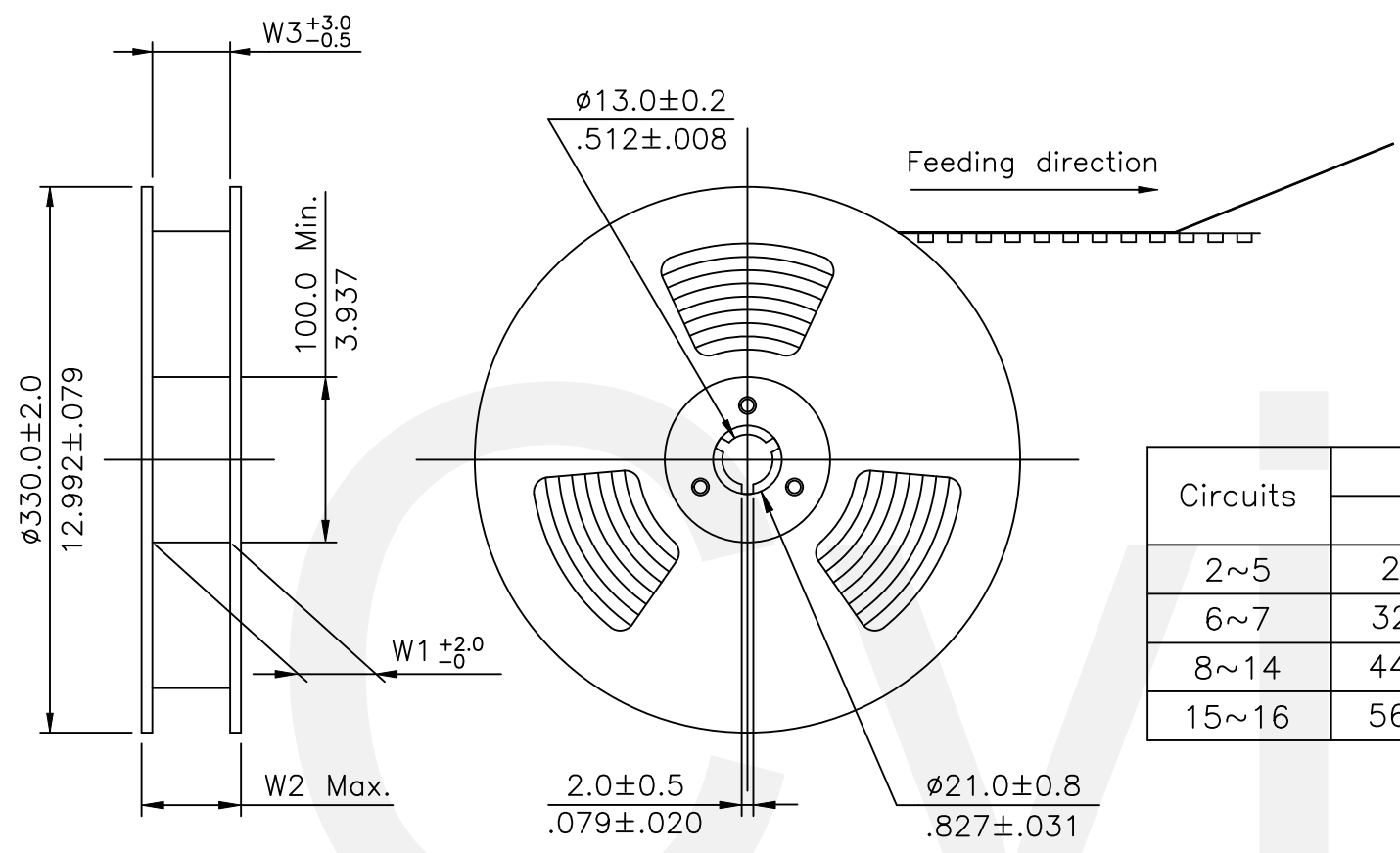
Halogen-Free

Lead Free Process

RoHS Compliant

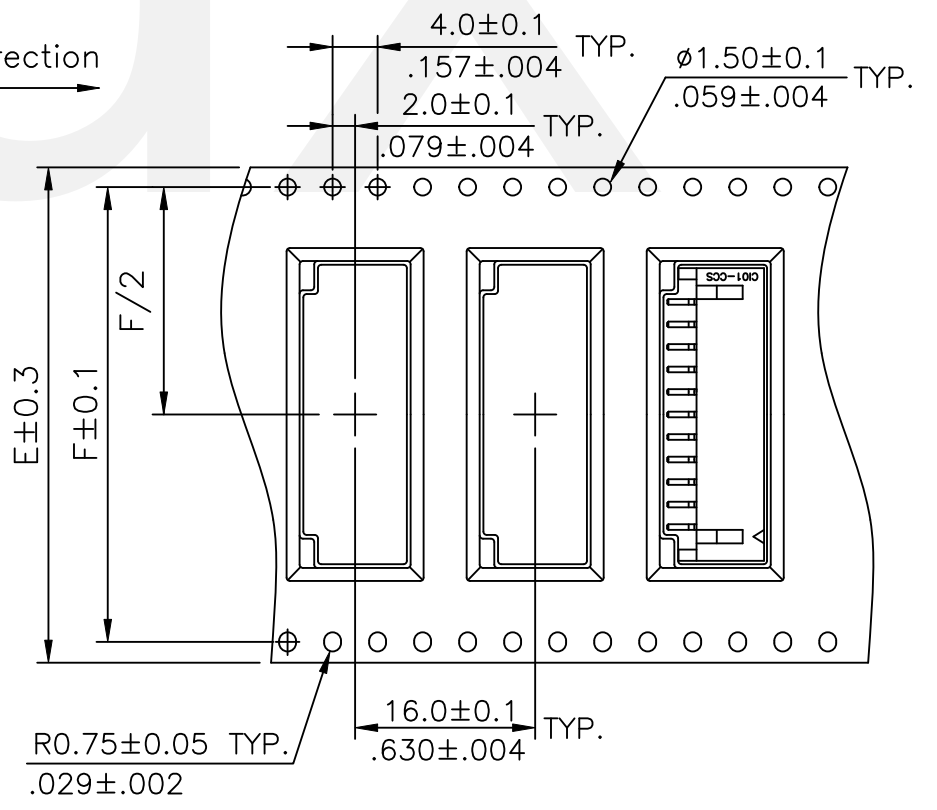
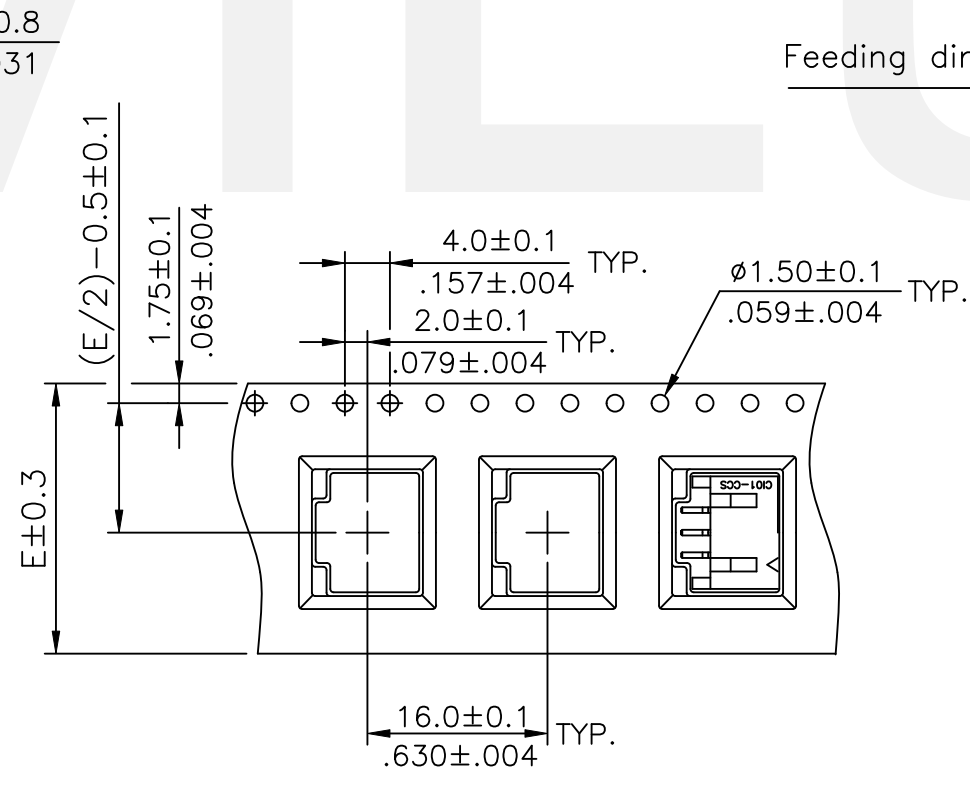
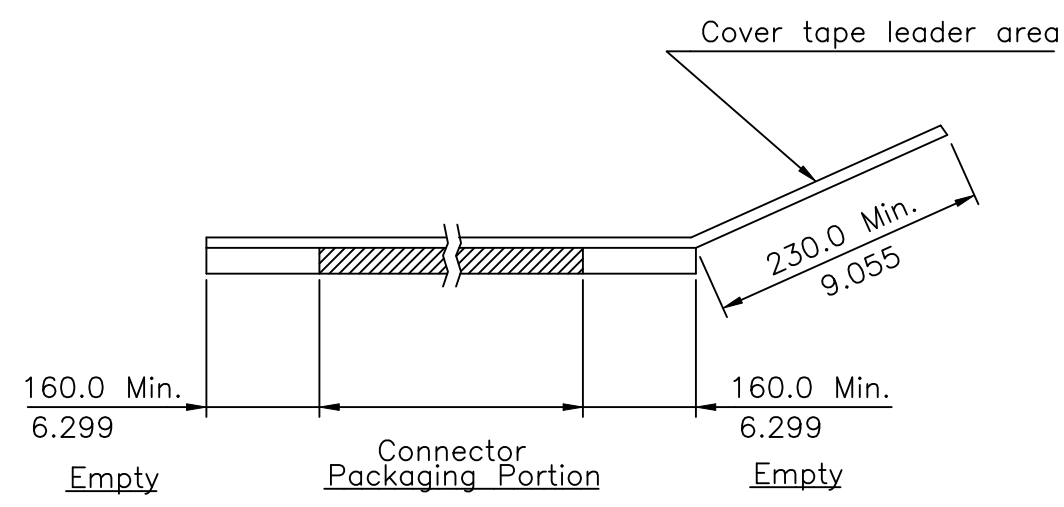
△7	Amy	10/26-23	ECNT123179/ECRB123029		DATE	UNIT: mm / inch	TITLE: 2.00mm PITCH SIDE ENTRY	瀚荃股份有限公司 CviLux Corporation
△6	Sun	1/06-21	ECRT120085/ECNT120316	DRAWN BY: Amy	10/26-23	TOLERANCE UNLESS OTHERWISE SPECIFIED	SMT HEADER	
△5	Sandy	12/13-16	ECNT116287	ENGINEER: Sun	10/26-23	.X ± 0.30/.012 X' ± 1"	MATERIAL:	DRAWING NO. CI0117AH PART NO. CI01**M*H*0-NH
△4	Enya	3/5-13	ECN13056-0/ECR13007-1	CHECKED BY: Eisley	10/26-23	.XX ± 0.20/.008 .X' ±	FINISH:	SCALE 3 / 1 SHEET 1 OF 2
SYM	NAME	DATE	REVISIONS	APPROVED BY: Eisley	10/26-23	.XXX ± 0.10/.004 .XX' ±		

CviLux Corp  
 2023/11/03  
 ISSUED



- NOTE :
- ⚠️ \* Reel Material : HIPS
  - \* Carrier Material : Transparent Anti-static Polysyrene.
  - \* Cover Tape Material : Polyester
  - \* Cover Tape Peel Strength : 0.1N – 1.3N
  - \* Carrier camber is within 1mm in 100mm
  - ⚠️ \* All dimensions meet EIA-481 requirements.
  - \* Quantity : 700 PCS/Reel

Circuits	Dimension					Packing (Reel/Carton)
	E	F	W1	W2	W3	
2~5	24.0(.945)	-	24.5(.965)	30.5(1.200)	24.5(.965)	9
6~7	32.0(1.260)	28.40(1.118)	32.5(1.280)	38.5(1.516)	32.5(1.280)	7
8~14	44.0(1.732)	40.40(1.596)	44.4(1.748)	50.4(1.984)	44.4(1.748)	5
15~16	56.0(2.205)	52.40(2.062)	56.5(2.224)	62.5(2.460)	56.5(2.224)	4



WIDTH : 24 mm Carrier

WIDTH : 32,44,56 mm Carrier

RoHS Compliant

7	Amy	10/26-23	ECNT123179/ECRB123029		DATE	UNIT: mm / inch	TITLE: 2.00mm PITCH SIDE ENTRY	 瀚荃股份有限公司 CviLux Corporation
6	Sun	1/06-21'	ECRT120085/ECNT120316	DRAWN BY: Amy	10/26-23'	TOLERANCE UNLESS OTHERWISE SPECIFIED	SMT HEADER	
5	Sandy	12/13-16	ECNT116287	ENGINEER: Sun	10/26-23'		MATERIAL:	
4	Enya	3/5-13'	ECN13056-0/ECR13007-1	CHECKED BY: Eisley	10/26-23'	.X ±      X' ± 1' .XX ±     .X' ± .XXX ±    .XX' ±	DRAWING NO. CI0117AH	
SYM	NAME	DATE	REVISIONS	APPROVED BY: Eisley	10/26-23'		FINISH:	
								DRAWING NO. CI0117AH
								PART NO. CI01**M**H*0-NH
								SHEET 2 OF 2

CviLux Corp  
 2023/11/03  
 ISSUED