



Specifications

Electrical Ratings	50mA @ 50VDC	Dielectric Strength	250Vrms min
Electrical Life	100,000 cycles typical	Insulation Resistance	>100MΩ min
Contact Resistance	<50mΩ initial	Operating Temperature	-40°C to 85°C
Actuation Force	100, 160, 260 ± 50gF	Storage Temperature	-40°C to 85°C
Actuation Travel	.25 ± .1mm		

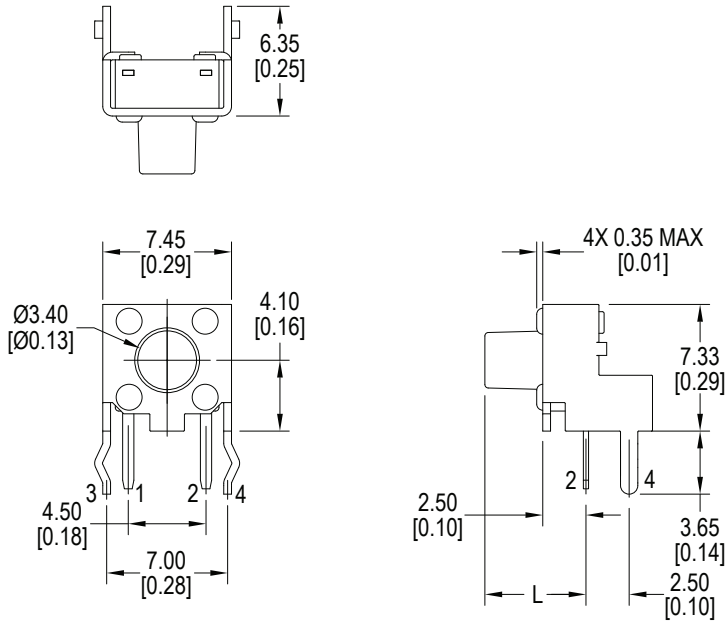
Materials

Actuator	6/6 Nylon
Housing	6/6 Nylon
Cover	Steel, Tin Plated
Contacts	Phosphor Bronze, Silver Plated
Terminals	Brass, Silver Plated

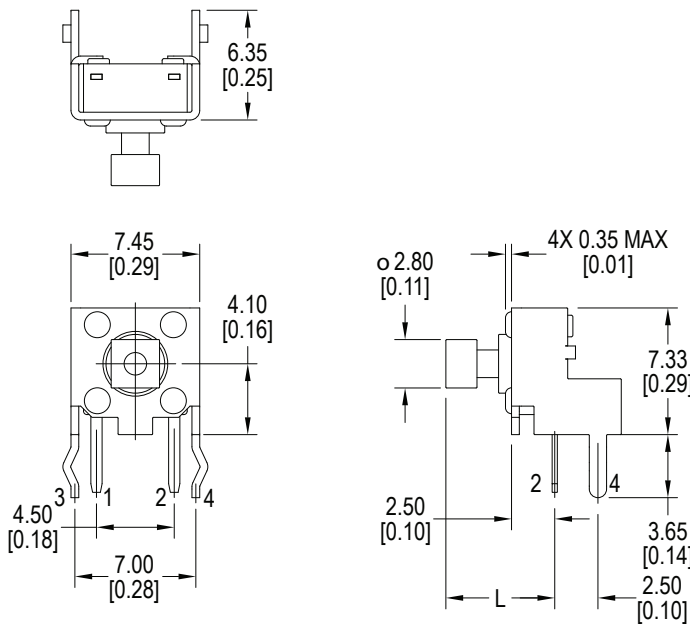
Ordering Information

1. Series	CT1102V	10.35	F160
CT1102V			
2. Actuation Length "L"			
3.15 = 3.15mm			
3.85 = 3.85mm			
5.85 = 5.85mm			
6.35 = 6.35mm			
6.85 = 6.85mm			
8.35 = 8.35mm			
9.85 = 9.85mm			
10.35 = 10.35mm			
10.85 = 10.85mm			
11.85 = 11.85mm			
13.35 = 13.35mm			
13.85 = 13.85mm			
15.85 = 15.85mm			
S2.4 = 2.4mm square head			
S2.8 = 2.8mm square head			
3. Actuator Force			
F100 = 100gF			
F160 = 160gF			
F260 = 260gF			
4. Cap Options	Cap Colors		
Blank = No Cap			
C01			
C02	** See Cap Options for color availability		
C03	** Caps available for S2.8 actuator only		
C04			
C05			

Dimensions

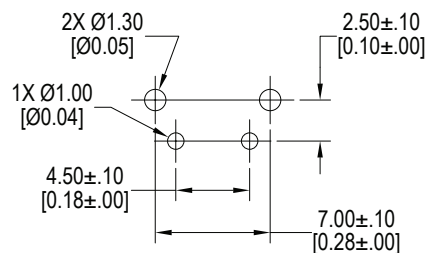
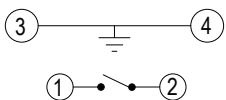


Part Number	"L" mm
CT1102V3.15	3.15
CT1102V3.85	3.85
CT1102V5.85	5.85
CT1102V6.35	6.35
CT1102V6.85	6.85
CT1102V8.35	8.35
CT1102V9.85	9.85
CT1102V10.35	10.35
CT1102V11.85	11.85
CT1102V13.35	13.35
CT1102V13.85	13.85
CT1102V15.85	15.85



Part Number	"L" mm
CT1102VS2.4	2.4
CT1102VS2.8	2.8

Schematic & PC Layout

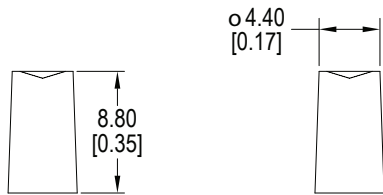
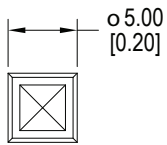


Cap Options for S2.8 Actuator

C01_



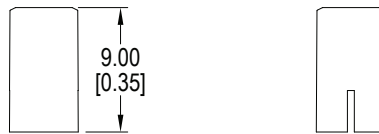
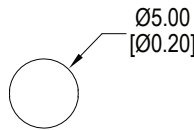
1 = White
 2 = Black
 3 = Red
 9 = Light Gray
 Contact Factory for
 other available colors



C02_



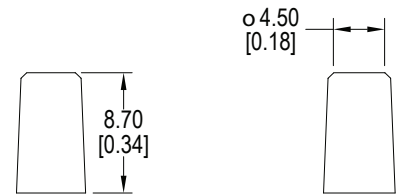
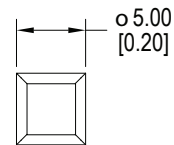
1 = White
 2 = Black
 3 = Red
 9 = Light Gray
 Contact Factory for
 other available colors



C03_



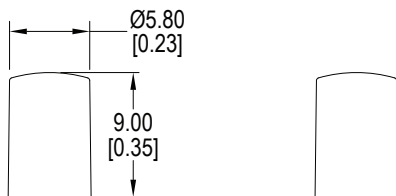
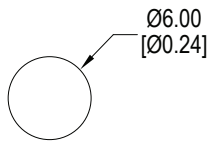
1 = White
 2 = Black
 3 = Red
 9 = Light Gray
 Contact Factory for
 other available colors



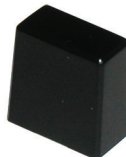
C04_



1 = White
 2 = Black
 3 = Red
 9 = Light Gray
 Contact Factory for
 other available colors



C05_



1 = White
 2 = Black
 3 = Red
 9 = Light Gray
 Contact Factory for
 other available colors

