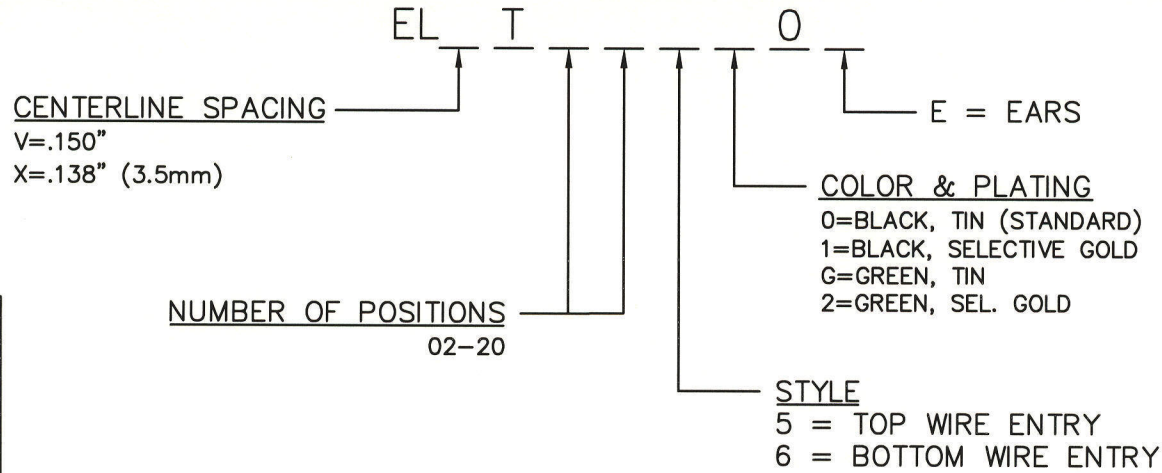


# ELVT/ELXT SERIES PART NUMBERING SCHEME

REV	ECN	APPD
-	3624	JEC 1-18-99
A	3865	JEC 11/9/99
B	5742	PN 12/28/05



**UL RATINGS**  
CURRENT - 12A  
VOLTAGE - 300V  
U.L. FILE NO. E83421

**SP RATINGS**  
CURRENT - 12A  
VOLTAGE - 300V  
CSA FILE NO. LR69703

DIN VDE 0627:1986  
DIN VDE 0110-1:1989  
EN 60947-1:1991  
EN 60947-7-1:1992

CURRENT - 12A  
VOLTAGE - 300 V  
TUV FILE NO. 20396

**INSTALLATION RECOMMENDATIONS:**  
WIRE RANGE: AWG #16-28, STRANDED OR SOLID  
WIRE STRIP LENGTH: .250"  
TIGHTENING TORQUE: 2.2 LB-IN.

**MATERIALS:**  
HOUSING: PA 4/6, UL 94 V-0  
CONTACT: COPPER ALLOY, OPTIONAL FINISH  
SCREW: COPPER ALLOY, NICKEL FINISH  
WIRE CLAMP: COPPER ALLOY, NICKEL FINISH

MAX OPERATING TEMPERATURE: 125°C

CONSULT PCD FOR PART NO. AND AVAILABILITY OF FOLLOWING OPTIONS:  
\* CUSTOM COLORS  
\* CUSTOM MARKING  
\* CUSTOM KEYING  
\* SELECTIVE CONTACT LOADING

**DIMENSIONS**  
ANSI Y14.5M  
UNITS: INCHES  
ACAD FILE

**TOLERANCES**  
.XX ±.01  
.XXX ±.005  
ANGLES ±2°

**PROJECTION**

**Amphenol Pcd**  
SPECIFICATION DRAWING

ENGR  
I. QUINN 12/21/98

**TITLE**

ELV/ELX SERIES  
PLUGGABLE TERMINAL  
BLOCK, STRAIGHT

ORIGINAL  
STAMPED  
IN RED

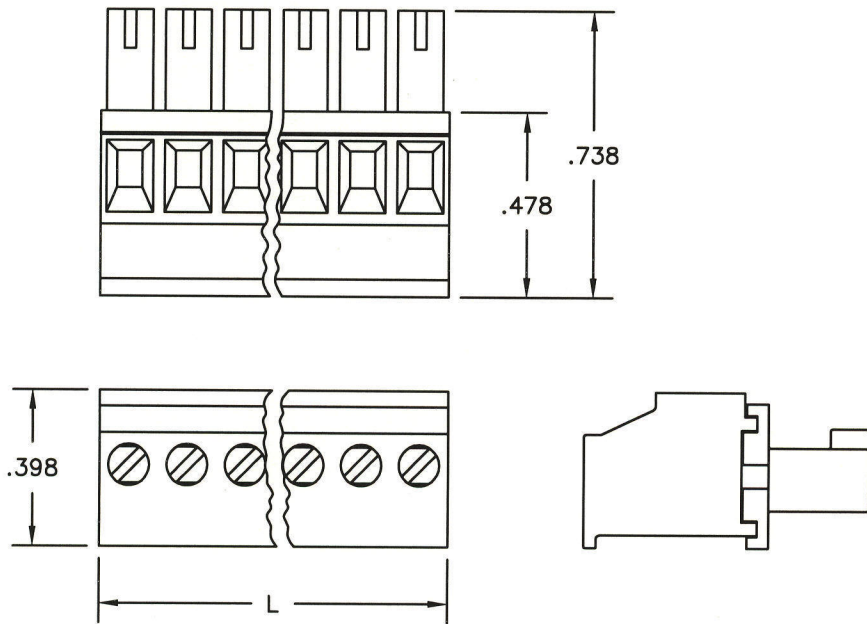
*THIS DOCUMENT CONTAINS  
PROPRIETARY INFORMATION WHICH  
IS THE CONFIDENTIAL PROPERTY  
OF AMPHENOL PCD INC. PEABODY, MA*

CHKD  
J. CAHALY 1/18/99

APPD  
J. CAHALY 1/18/99

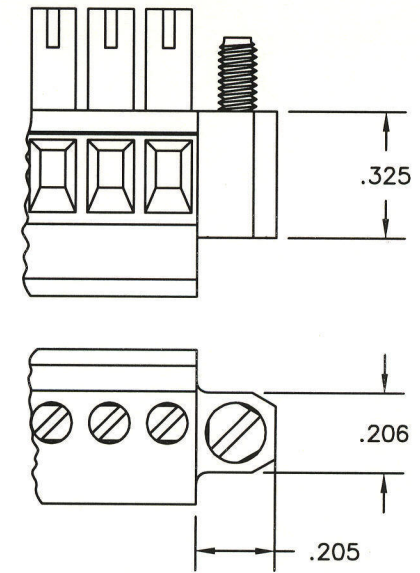
SIZE	DWG NO.	REV
A	ELVT02500	B
CODE: 58982	SCALE: NONE	SHEET 1 OF 2

STANDARD STRAIGHT PLUG, TOP WIRE ENTRY

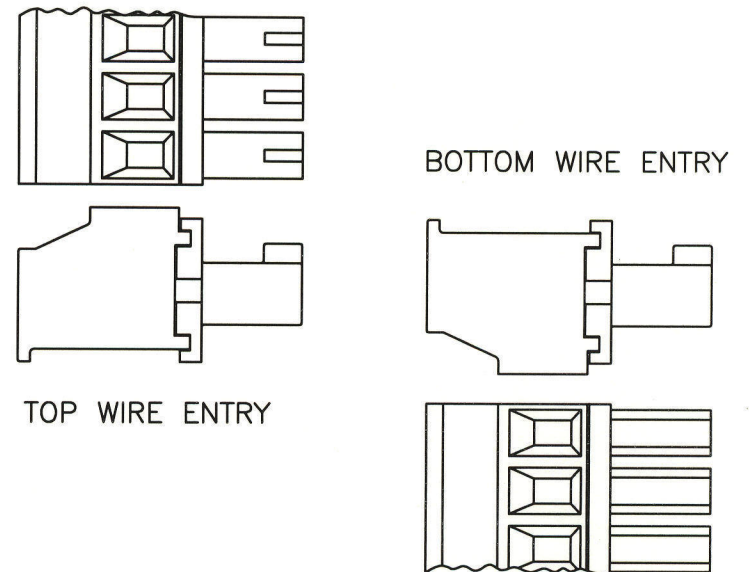


L=NUM OF POS X CL SPACING

EAR CONFIGURATION



ORIENTATION



SIZE

DWG NO.

DOC REV

A

ELVT02500

B

CODE: 58982

SCALE: NONE

SHEET 2 OF 2