

Product Specifications

Part Numbers Information

Electrical Specifications

Voltage Rating:

250VAC (300mA-400mA)
300VAC (500mA-30A)
125VDC (2.5A-30A)

Operating Temperature: -55°C ~ 125°C

Standards

500mA-15A
2.5A-15A (125VDC)
20A-30A (300VAC; 125VDC)
Tested to UL 248-14 Standard. File E197390
Tested to CSA C22.2 No.248.14 Standard. File E197390



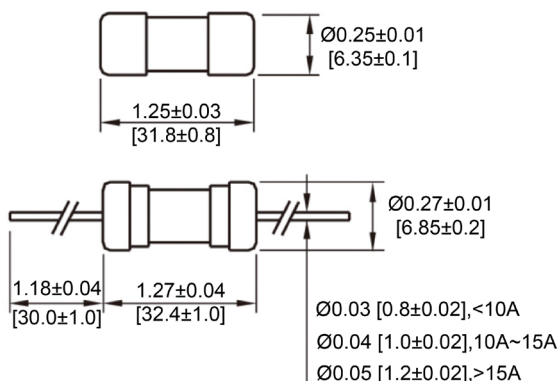
Interrupting Rating

10kA @125VAC (500mA-15A)
35A @250VAC (500mA-1A)
100A @250VAC (1.2A-3.5A)
200A @250VAC (4A-10A)
750A @250VAC (12A-15A)
100A @125VAC (20A-30A)
100A @250VAC (20A-30A)
1000A @ 300VAC (20A-30A)
1000A @ 300VAC (0.5A-15A)
500A @ 125VAC (1A-15A) (PSE)
100A @250VAC (1A-30A) (PSE)
100A @250VAC (300mA-3A) (KC)
100A @250VAC (4A-10A) (KC)
10kA @125VDC (2.5A-15A)
400A @125VDC (20-30A)

Material Specifications

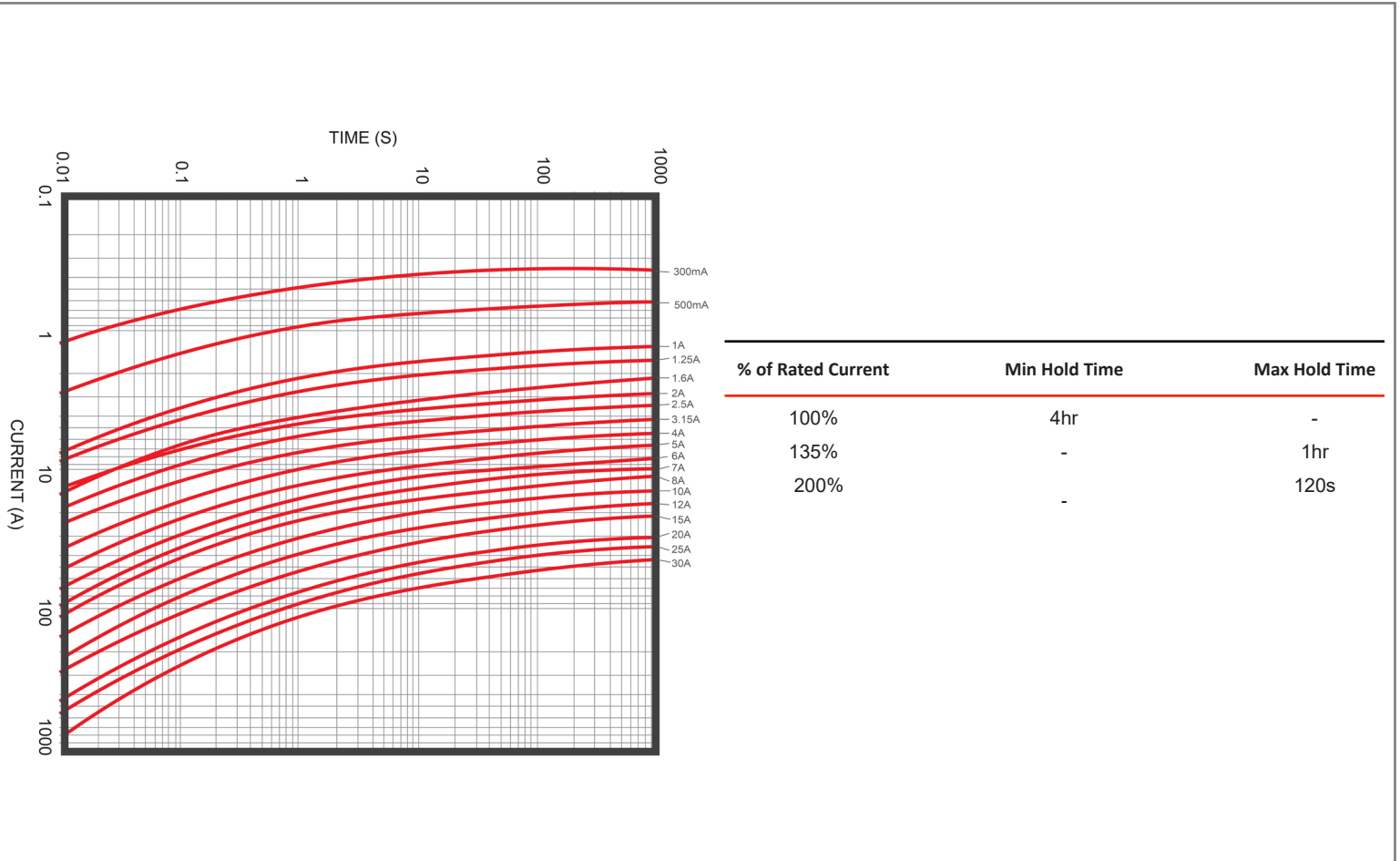
Body Material: Ceramic

Mechanical Dimensions: Inches [mm]

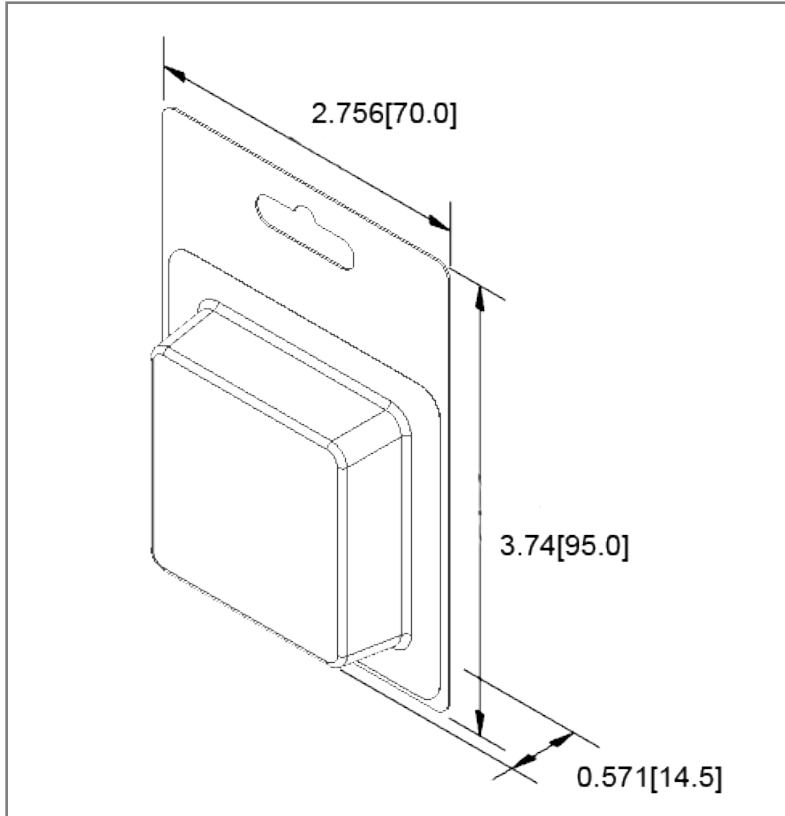


Cartridge P/N	Axial Lead P/N	Ampere Rating	I ² T Reference (A ² Sec)
FCA-300mA	FCA-P-300mA	300mA	0.0149
FCA-315mA	FCA-P-315mA	315mA	0.0169
FCA-350mA	FCA-P-350mA	350mA	0.0227
FCA-375mA	FCA-P-375mA	375mA	0.0272
FCA-400mA	FCA-P-400mA	400mA	0.0339
FCA-500mA	FCA-P-500mA	500mA	0.0716
FCA-600mA	FCA-P-600mA	600mA	0.1068
FCA-630mA	FCA-P-630mA	630mA	0.1162
FCA-750mA	FCA-P-750mA	750mA	0.2233
FCA-800mA	FCA-P-800mA	800mA	0.2871
FCA-1A	FCA-P-1A	1A	0.5843
FCA-1.2A	FCA-P-1.2A	1.2A	0.6298
FCA-1.25A	FCA-P-1.25A	1.25A	0.7173
FCA-1.5A	FCA-P-1.5A	1.5A	1.7168
FCA-1.6A	FCA-P-1.6A	1.6A	2.011
FCA-2A	FCA-P-2A	2A	1.712
FCA-2.5A	FCA-P-2.5A	2.5A	3.232
FCA-3A	FCA-P-3A	3A	5.032
FCA-3.15A	FCA-P-3.15A	3.15A	5.573
FCA-3.5A	FCA-P-3.5A	3.5A	8.111
FCA-4A	FCA-P-4A	4A	12.78
FCA-5A	FCA-P-5A	5A	25.64
FCA-6A	FCA-P-6A	6A	50.61
FCA-7A	FCA-P-7A	7A	84.09
FCA-8A	FCA-P-8A	8A	120.4
FCA-9A	FCA-P-9A	9A	167.1
FCA-10A	FCA-P-10A	10A	234.1
FCA-12A	FCA-P-12A	12A	467.2
FCA-15A	FCA-P-15A	15A	720.1
FCA-20A	FCA-P-20A	20A	2008
FCA-25A	FCA-P-25A	25A	3061
FCA-30A	FCA-P-30A	30A	6205

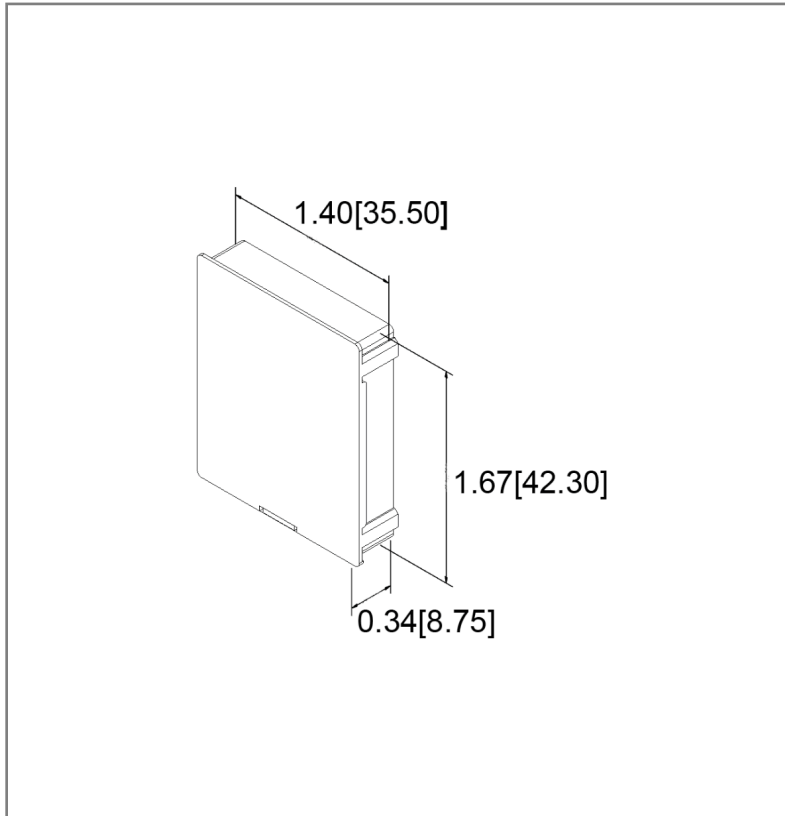
Time vs Percent of Rated Current



Blister Pack: Inches [mm]



Pill Box: Inches [mm]



Retail Pack Part Number Information

Ampere Rating	Retail Pack # Blister Card (5PCS)	Retail Pack # Pill Box (5PCS)
350mA	FCA-350mA-BP	FCA-350mA-BX
500mA	FCA-500mA-BP	FCA-500mA-BX
750mA	FCA-750mA-BP	FCA-750mA-BX
500mA	FCA-500mA-BP	FCA-500mA-BX
1A	FCA-1A-BP	FCA-1A-BX
1.25A	FCA-1.25A-BP	FCA-1.25A-BX
2A	FCA-2A-BP	FCA-2A-BX
2.5A	FCA-2.5A-BP	FCA-2.5A-BX
3A	FCA-3A-BP	FCA-3A-BX
3.15A	FCA-3.15A-BP	FCA-3.15A-BX
4A	FCA-4A-BP	FCA-4A-BX
5A	FCA-5A-BP	FCA-5A-BX
6A	FCA-6A-BP	FCA-6A-BX
7A	FCA-7A-BP	FCA-7A-BX
8A	FCA-8A-BP	FCA-8A-BX
9A	FCA-9A-BP	FCA-9A-BX
10A	FCA-10A-BP	FCA-10A-BX
12A	FCA-12A-BP	FCA-12A-BX
15A	FCA-15A-BP	FCA-15A-BX
20A	FCA-20A-BP	FCA-20A-BX
25A	FCA-25A-BP	FCA-25A-BX
30A	FCA-30A-BP	FCA-30A-BX

* Retail packs are for cartridge style fuses only

Rev Date of issue Revision Notes

Designed Approved

D	03-06-2024	Initial Drawing	RC	OF
---	------------	-----------------	----	----