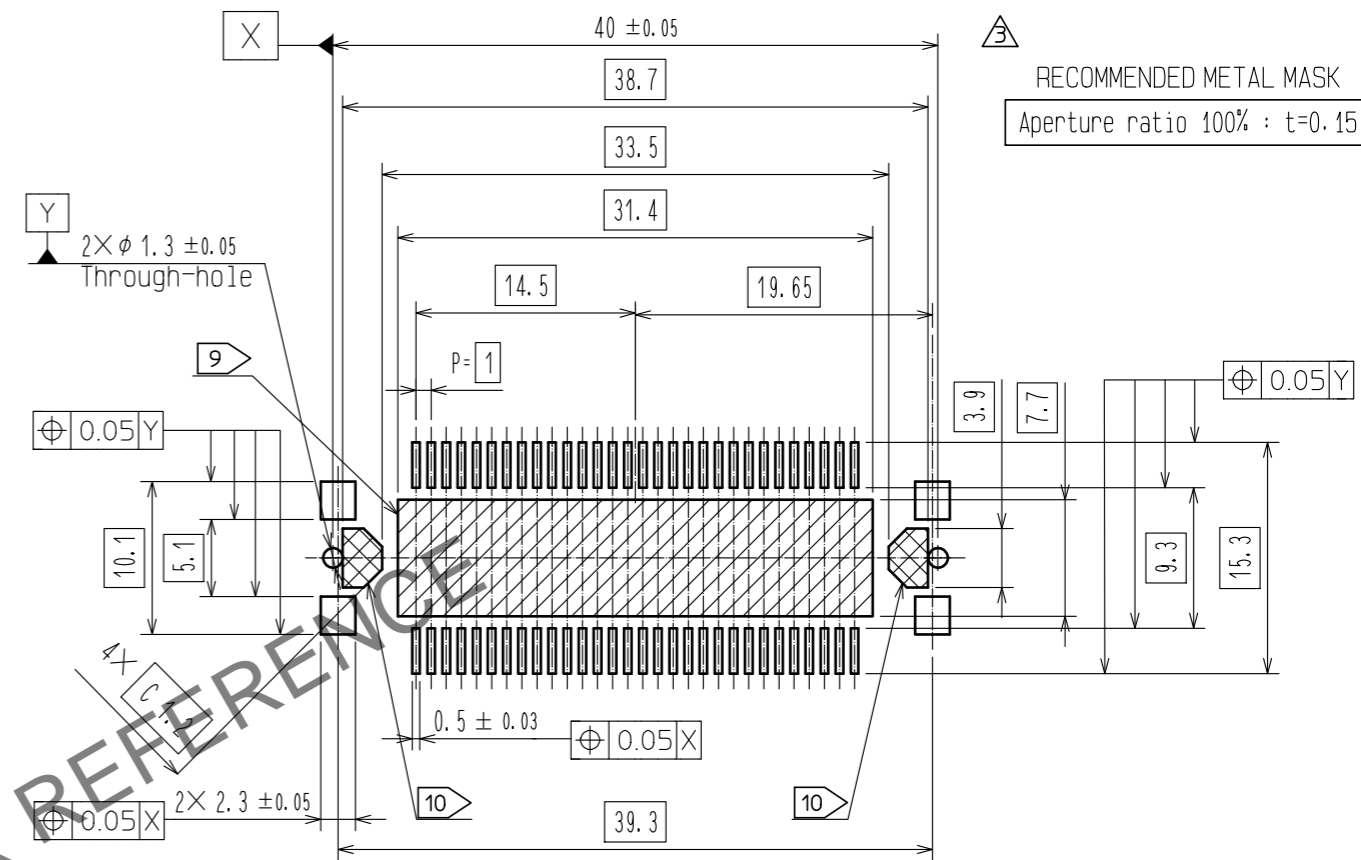
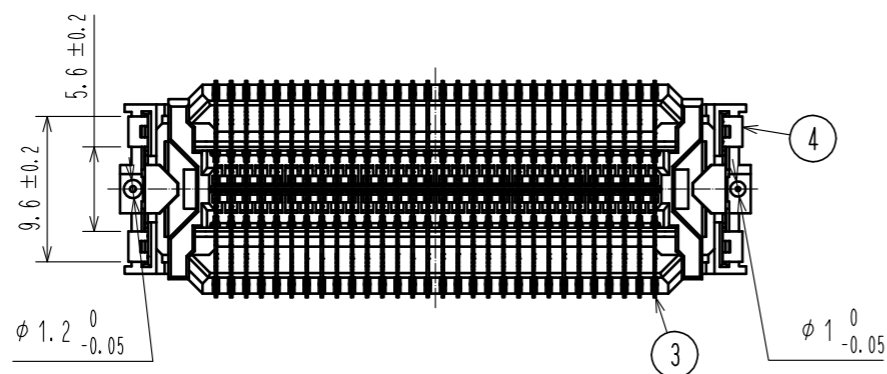
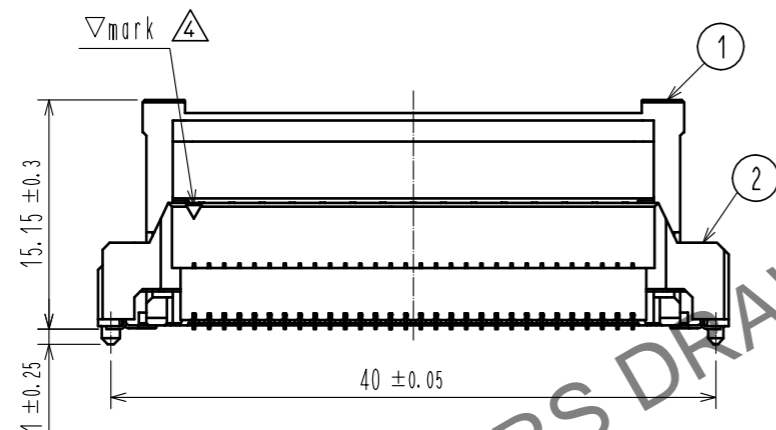
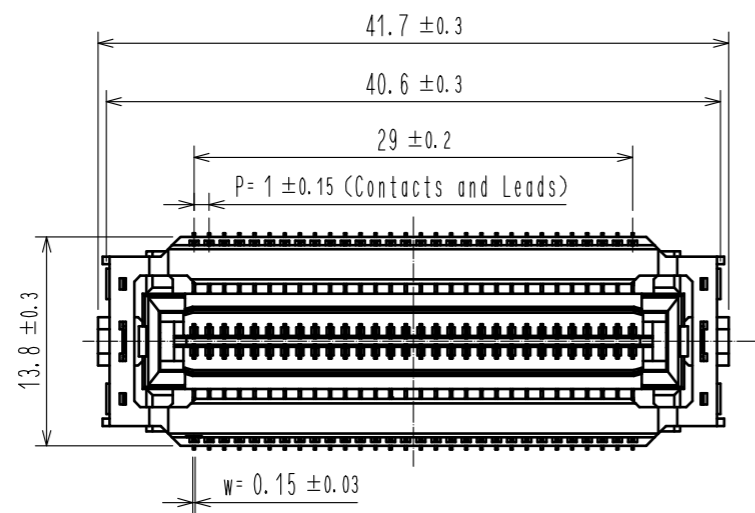


Oct.1.2024 Copyright 2024 HIROSE ELECTRIC CO., LTD. All Rights Reserved.  
In case of consideration for using Automotive equipment / device which demand high reliability, kindly contact our sales window correspondents.

△ RECOMMENDED LAND PATTERN DIMENSION OF PCB



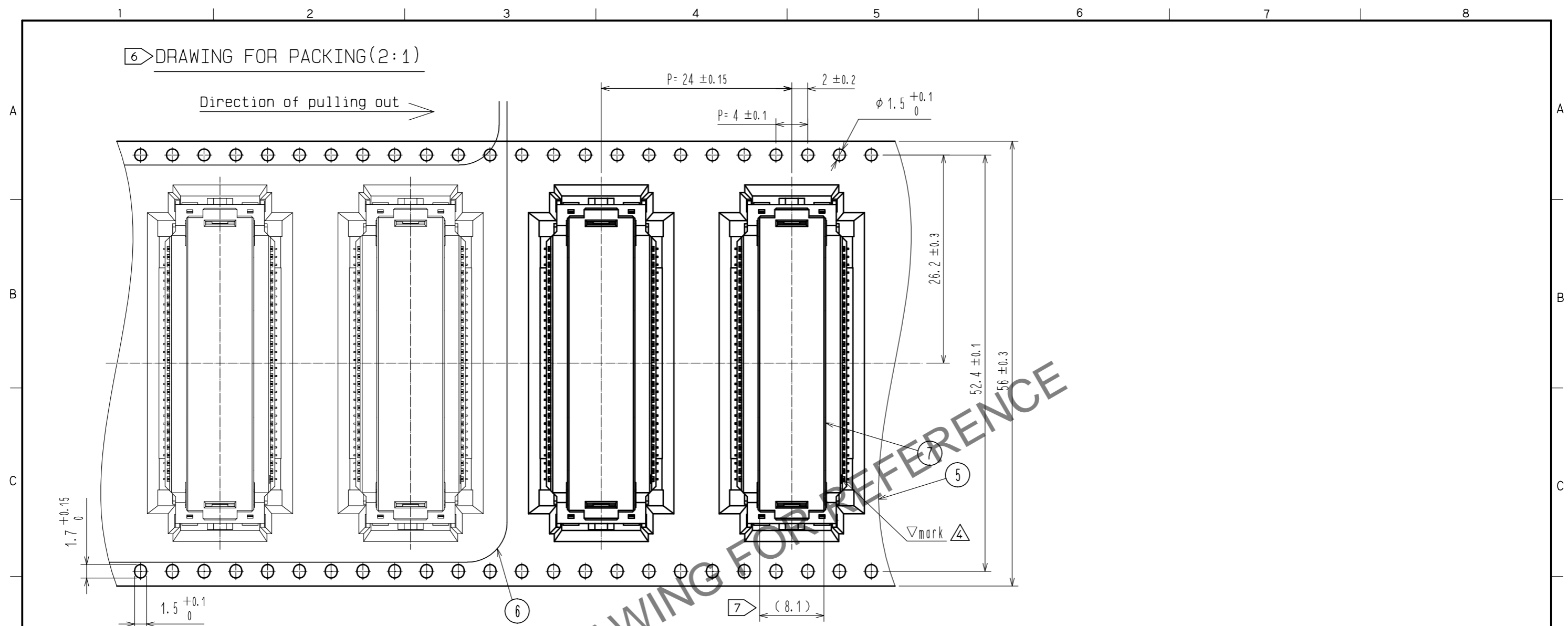
- Note
- 1 Lead CO-Planarity is 0.1mm MAX.
  - 2 Floating range of this connector is ±0.7mm MAX.  
The maximum cycle time of the floating operation is in accordance with the mating cycle of the connector.
  - 3 Please use the connectors within the specified PCB distance.  
Please refer to the drawings of mating connector.
  - 4 Blemish and hit mark can be occurred through out the manufacturing process which doesn't affect quality level.
  - 5 The dimensions in parentheses are for references.
  - 6 This is packaged in embossed carrier tape. (200pcs/RL)
  - 7 It shows the vacuum pickup area. Remove the pickup cap before mating connectors.
  - 8 This connector has no polarity with the mating connector.
  - △ 9 Arrangement of via-hole is prohibited in area.
  - △ 10 Arrangement of pattern and via-hole are prohibited in area.

7	POLYAMIDE	( CAP FOR VACUUM PICKUP)
6	POLYESTER	( EMBOSSED COVER TAPE)
5	POLYSTYRENE	( EMBOSSED CARRIER TAPE)
4	PHOSPHOR BRONZE	OVER PLATING : TIN-PLATING 1 μm UNDER PLATING : NICKEL 0.5 μm
3	COPPER ALLOY	CONTACT AREA : GOLD 0.1 μm LEAD AREA : GOLD 0.03 μm UNDER PLATING : NICKEL 1 μm

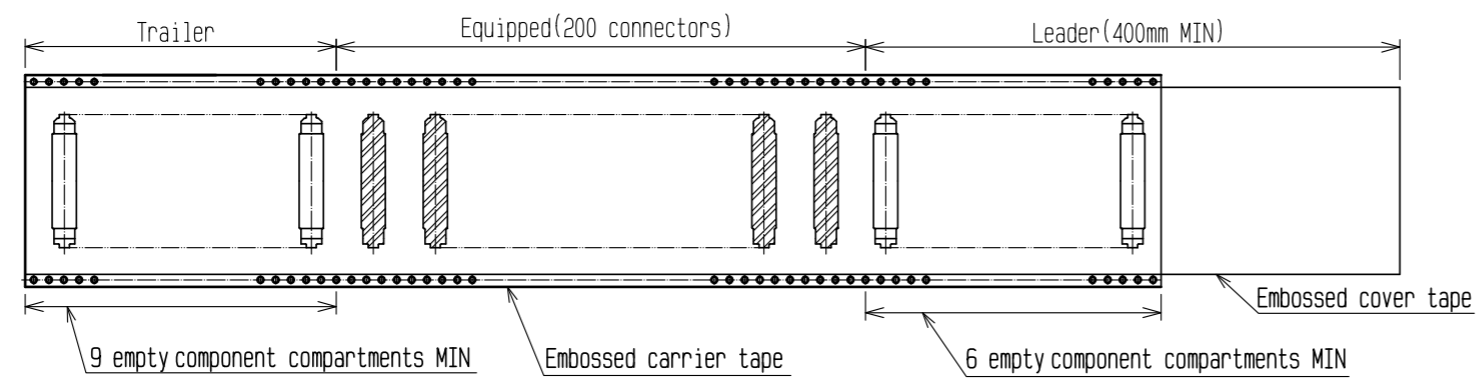
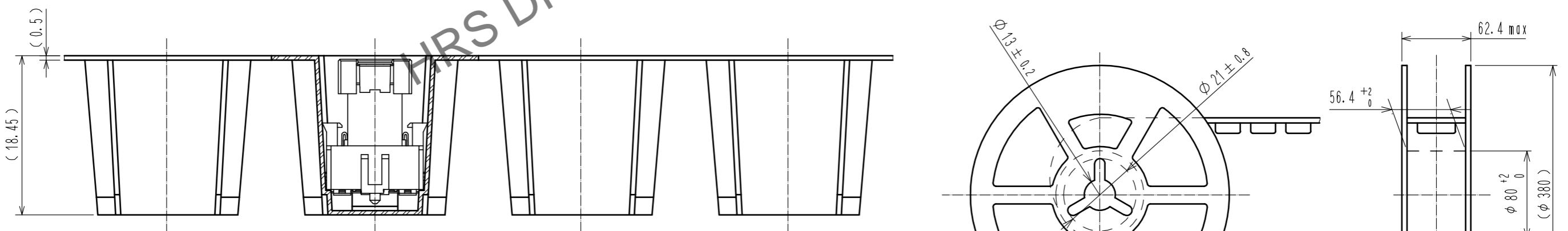
1, 2	POLYAMIDE	BLACK UL94V-0	NO.	MATERIAL	FINISH .	REMARKS	NO.	MATERIAL	FINISH .	REMARKS		
UNITS	mm	SCALE	2 : 1	COUNT	2	DESCRIPTION OF REVISIONS	DESIGNED	KI. YAMAZAKI	CHECKED	KN. SHIBUYA	DATE	20200831
APPROVED : HH. SHINDO		20190719		DRAWING NO.		EDC-387245-00-00						
CHECKED : KN. SHIBUYA		20190718		PART NO.		FX26-60P-1SV5						
DESIGNED : TK. ABE		20190718		CODE NO.		CL576-1506-0-00						
DRAWN : TK. ABE		20190718										

Oct.1.2024 Copyright 2024 HIROSE ELECTRIC CO., LTD. All Rights Reserved.  
 In case of consideration for using Automotive equipment / device which demand high reliability, kindly contact our sales window correspondents.

6 DRAWING FOR PACKING(2:1)



REEL DIMENSION(No scale)



<b>HRS</b>	DRAWING NO.	EDC-387245-00-00	4/2
	PART NO.	FX26-60P-1SV5	
	CODE NO.	CL576-1506-0-00	