



plug-in relay complete unit, 1 changeover contact, 115 V AC, LED module red, base with logical isolation, screw terminal, 3.5 mm pinning

product brand name	SIRIUS
product designation	Coupling relay with plug-in relay
product type designation	LZS
General technical data	
display version LED	Yes
percental drop-out voltage related to the input voltage	15 %
protection class IP	IP20
operating frequency without load	36 000 1/h
operating frequency with load	360 1/h
switching behavior	monostable
mechanical service life (operating cycles) typical	10 000 000
electrical endurance (operating cycles) at AC-15 at 230 V typical	70 000
thermal current	16 A
reference code according to IEC 81346-2	K
Substance Prohibitance (Date)	05/01/2012
Weight	0.063 kg
Control circuit/ Control	
control supply voltage at AC	
• at 50 Hz rated value	115 V
• at 60 Hz rated value	115 V
control supply voltage frequency	
• 1 rated value	50 Hz
• 2 rated value	60 Hz
supply voltage frequency for auxiliary and control circuit rated value	50 ... 60 Hz
operating range factor control supply voltage rated value at AC at 50 Hz	
• initial value	0.9
• full-scale value	1.1
operating range factor control supply voltage rated value at AC at 60 Hz	
• initial value	0.9
• full-scale value	1.1
Switching Function	
design of the switching function	changeover switch
Mechanical data	
product component plug-in socket	Yes
design of the snap-on socket base	Socket with logic isolation
design of the relay operating mechanism	poled
Short-circuit protection	

design of the fuse link for short-circuit protection of the auxiliary switch required	fuse gG: 10 A
---	---------------

Auxiliary circuit

type of switching contact	Changeover contact
material of switching contacts	AgNi 90/10
number of NC contacts for auxiliary contacts	0
number of NO contacts for auxiliary contacts	0
number of CO contacts for auxiliary contacts	1

Main circuit

type of voltage	AC
-----------------	----

Display

display version as status display by LED	LED red
--	---------

Connections/ Terminals

product function removable terminal	No
type of electrical connection	screw terminal
type of connectable conductor cross-sections <ul style="list-style-type: none"> solid finely stranded with core end processing for AWG cables solid 	1x (1,0 ... 2,5), 2x 1,0, 2x 1,5, 2x 2,5 1x (1,0 ... 1,5), 2x 1,0, 2x 1,5 1x (18 ... 14), 2x 18, 2x 16, 2x 14
connectable conductor cross-section <ul style="list-style-type: none"> solid finely stranded with core end processing 	1 ... 2.5 mm ² 1 ... 1.5 mm ²
AWG number as coded connectable conductor cross section <ul style="list-style-type: none"> solid 	18 ... 14
tightening torque with screw-type terminals	0.5 ... 0.7 N·m

Installation/ mounting/ dimensions

mounting position	any
fastening method	snap-on mounting
height	77 mm
width	15.5 mm
depth	71 mm

Ambient conditions

ambient temperature <ul style="list-style-type: none"> during operation during storage during transport 	-40 ... +70 °C -20 ... +70 °C -20 ... +70 °C
--	--

Approvals Certificates

General Product Approval	Test Certificates
--------------------------	-------------------

[Confirmation](#)



[Type Test Certificates/Test Report](#)

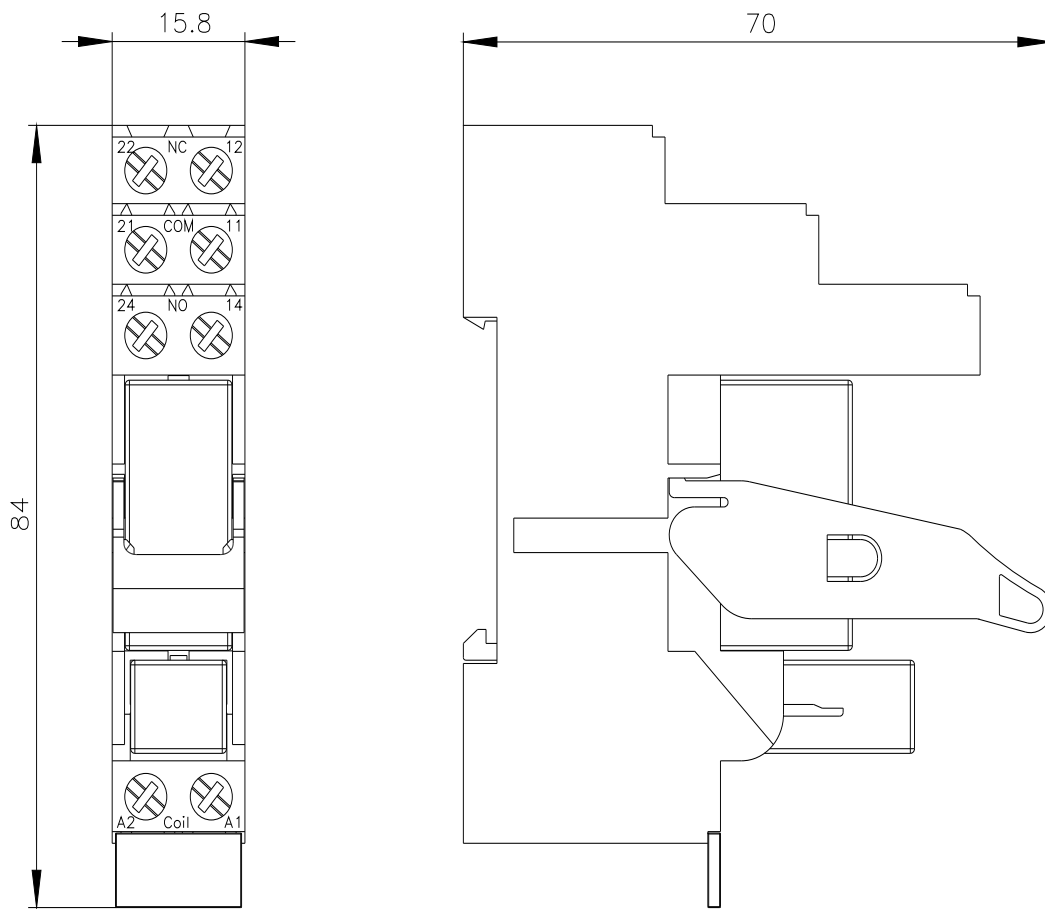
other Environment

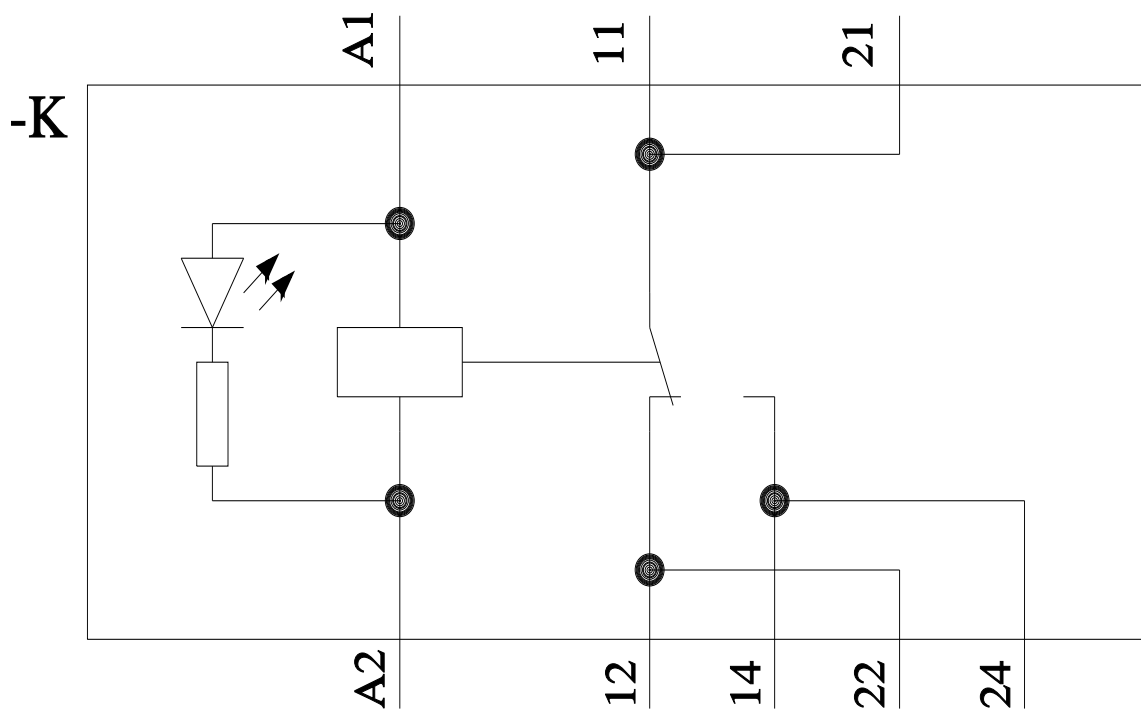
[Confirmation](#)

[Environmental Confirmations](#)

Further information

- Information on the packaging
<https://support.industry.siemens.com/cs/ww/en/view/109813875>
- Information- and Downloadcenter (Catalogs, Brochures,...)
<https://www.siemens.com/ic10>
- Industry Mall (Online ordering system)
<https://mall.industry.siemens.com/mall/en/en/Catalog/product?mlfb=LZS:RT3B4S15>
- Cax online generator
<http://support.automation.siemens.com/WW/CAXorder/default.aspx?lang=en&mlfb=LZS:RT3B4S15>
- Service&Support (Manuals, Certificates, Characteristics, FAQs,...)
<https://support.industry.siemens.com/cs/ww/en/ps/LZS:RT3B4S15>





last modified:

4/8/2024 