

Product Specifications

Part Numbers Information

**Electrical Specifications**

Voltage Rating 250VAC

Operating Temperature: -55°C ~ 125°C

**Standards**

500mA-15A

20A-30A

Tested to UL 248-14 Standard. File E197390

Tested to CSA C22.2 No.248.14 Standard. File E197390



**Interrupting Rating**

10kA @125VAC (500mA-15A)

35A @250VAC (500mA-1A)

100A @250VAC (1.2A-3.5A)

200A @250VAC (1.2A-3.5A)

750A @250VAC (12A-15A)

400A @125VAC (20A-30A)

100A @250VAC (20A-30A)

500A @125VAC (1A-15A) (PSE)

100A @250VAC (1A-30A) (PSE)

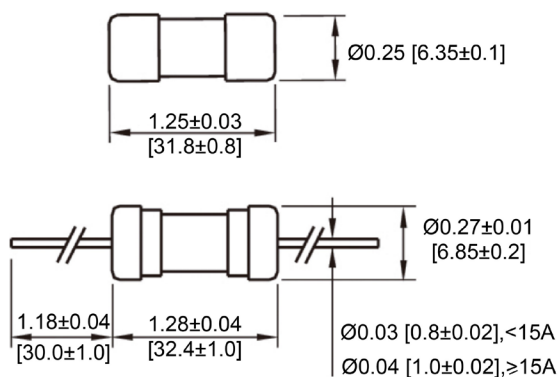
100A @250VAC (500mA-10A) (KC)

**Material Specifications**

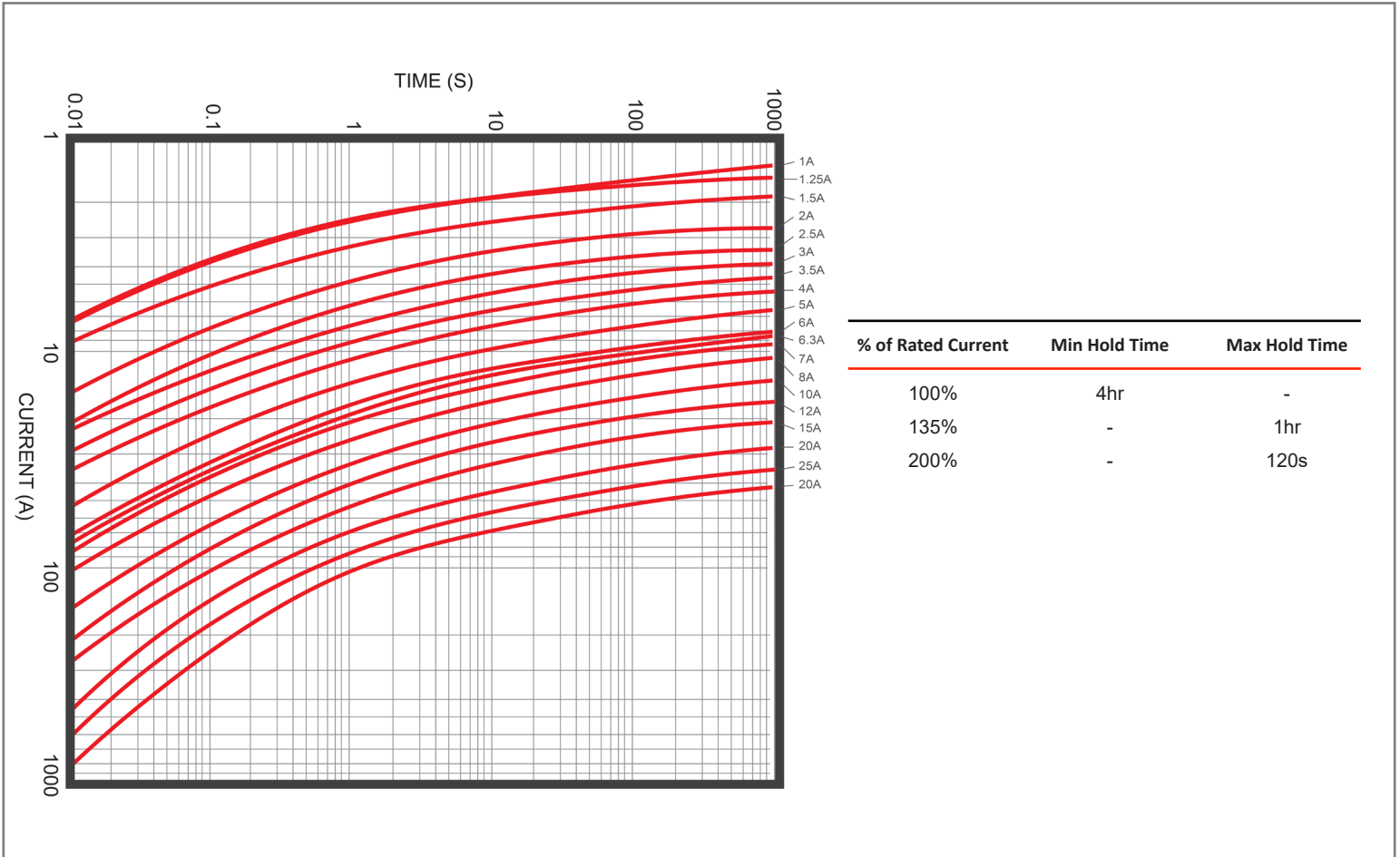
Body Material: Ceramic

Cartridge P/N	Axial Lead P/N	Ampere Rating	I <sup>2</sup> T Reference (A <sup>2</sup> Sec)
TCA-500mA	TCA-P-500mA	500mA	-
TCA-600mA	TCA-P-600mA	600mA	-
TCA-630mA	TCA-P-630mA	630mA	-
TCA-750mA	TCA-P-750mA	750mA	-
TCA-800mA	TCA-P-800mA	800mA	-
TCA-1A	TCA-P-1A	1A	0.5117
TCA-1.2A	TCA-P-1.2A	1.2A	0.4802
TCA-1.25A	TCA-P-1.25A	1.25A	0.5002
TCA-1.5A	TCA-P-1.5A	1.5A	0.7983
TCA-1.6A	TCA-P-1.6A	1.6A	1.521
TCA-2A	TCA-P-2A	2A	2.342
TCA-2.5A	TCA-P-2.5A	2.5A	4.545
TCA-3A	TCA-P-3A	3A	4.987
TCA-3.15A	TCA-P-3.15A	3.15A	5.246
TCA-3.5A	TCA-P-3.5A	3.5A	8.456
TCA-4A	TCA-P-4A	4A	12.47
TCA-5A	TCA-P-5A	5A	26.52
TCA-6A	TCA-P-6A	6A	49.68
TCA-7A	TCA-P-7A	7A	70.47
TCA-8A	TCA-P-8A	8A	108.5
TCA-10A	TCA-P-10A	10A	238.8
TCA-12A	TCA-P-12A	12A	434.6
TCA-13A	TCA-P-13A	13A	531.2
TCA-15A	TCA-P-15A	15A	720.1
TCA-20A	TCA-P-20A	20A	2008
TCA-25A	TCA-P-25A	25A	3511
TCA-30A	TCA-P-30A	30A	6658

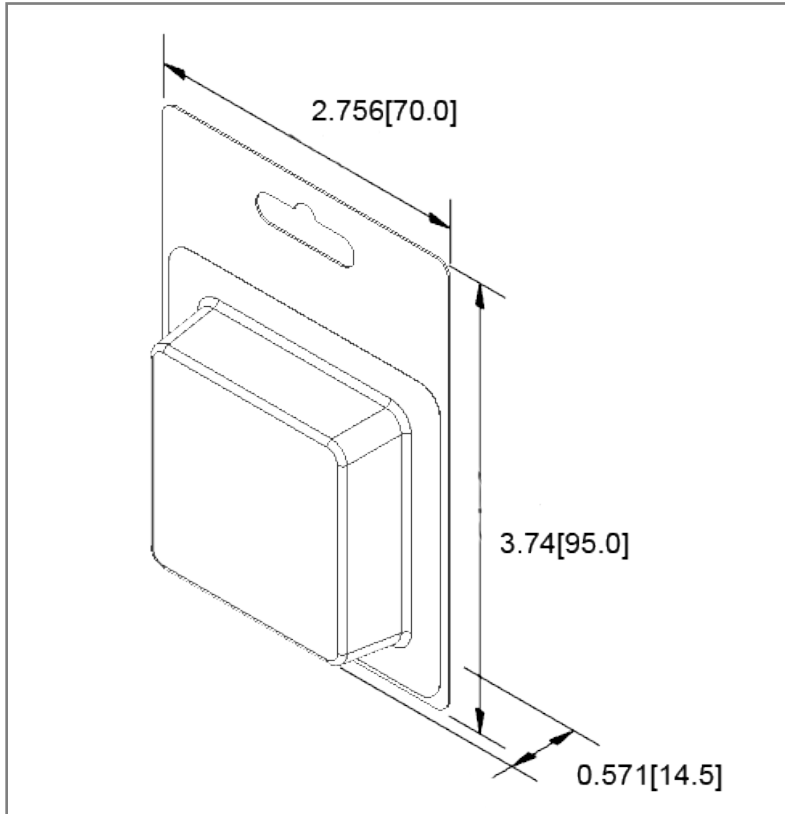
**Mechanical Dimensions: Inches [mm]**



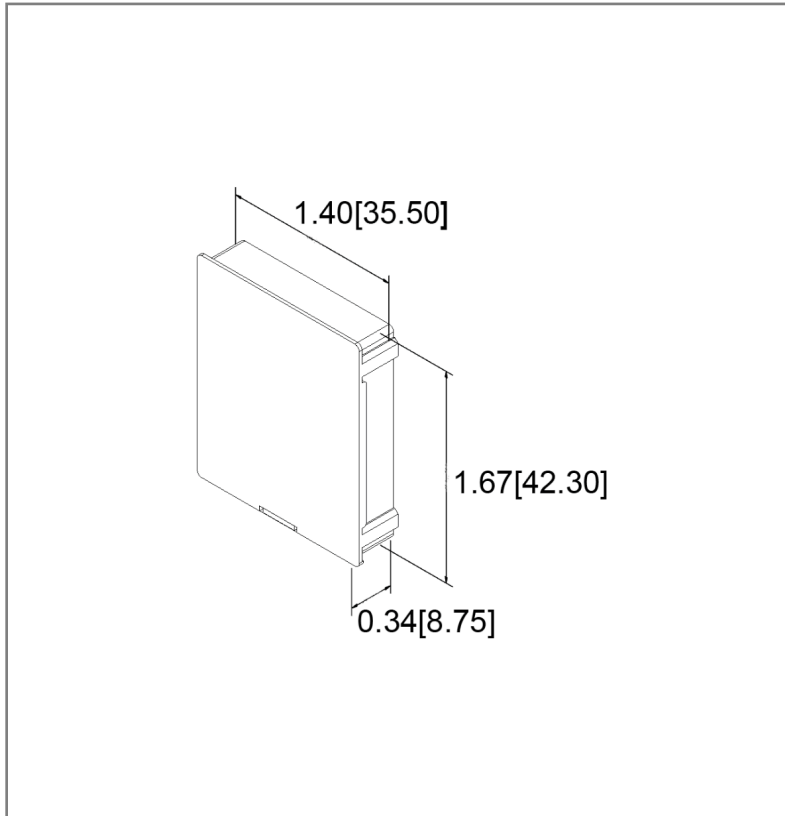
Time vs Percent of Rated Current



**Blister Pack: Inches [mm]**



**Pill Box: Inches [mm]**



**Retail Pack Part Number Information**

Ampere Rating	Retail Pack # Blister Card (5PCS)	Retail Pack # Pill Box (5PCS)
100mA	TCA-100mA-BP	TCA-100mA-BX
250mA	TCA-250mA-BP	TCA-250mA-BX
500mA	TCA-500mA-BP	TCA-500mA-BX
630mA	TCA-630mA-BP	TCA-630mA-BX
800mA	TCA-800mA-BP	TCA-800mA-BX
1A	TCA-1A-BP	TCA-1A-BX
1.25A	TCA-1.25A-BP	TCA-1.25A-BX
1.5A	TCA-1.5A-BP	TCA-1.5A-BX
1.6A	TCA-1.6A-BP	TCA-1.6A-BX
2A	TCA-2A-BP	TCA-2A-BX
2.5A	TCA-2.5A-BP	TCA-2.5A-BX
3A	TCA-3A-BP	TCA-3A-BX
4A	TCA-4A-BP	TCA-4A-BX
5A	TCA-5A-BP	TCA-5A-BX
6A	TCA-6A-BP	TCA-6A-BX
7A	TCA-7A-BP	TCA-7A-BX
8A	TCA-8A-BP	TCA-8A-BX
10A	TCA-10A-BP	TCA-10A-BX
12A	TCA-12A-BP	TCA-12A-BX
15A	TCA-15A-BP	TCA-15A-BX
20A	TCA-20A-BP	TCA-20A-BX
25A	TCA-25A-BP	TCA-25A-BX
30A	TCA-30A-BP	TCA-30A-BX

\* Retail packs are for cartridge style fuses only

**Rev Date of issue Revision Notes**

**Designed Approved**

E	03-07-2024	Initial Drawing	RC	OF
---	------------	-----------------	----	----