


Product Specifications

Part Numbers Information

**Electrical Specifications**

Voltage Rating: 250VAC  
Operating Temperature: -55°C ~ 125°C

**Standards**

200mA-5A   
Tested to UL 248-14 Standard. File E197390  
Tested to CSA C22.2 No.248.14 Standard. File E197390

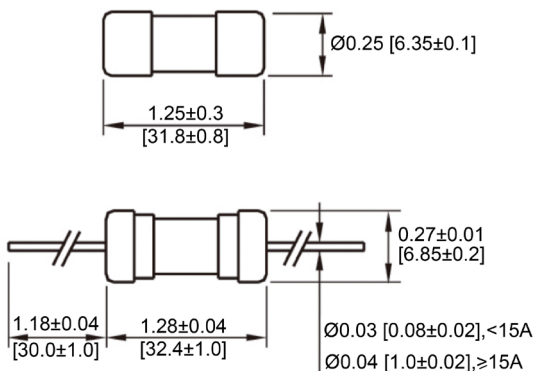
**Interrupting Rating**

10kA @125VAC (32mA-5A)  
35A @250VAC (32mA-1A)  
100A @250VAC (1.2A-3.5A)  
200A @ 250VAC(4A-5A)  
100A @125VAC (1A-15A) (PSE) (Cartridge Style)  
500A @125VAC (1A-15A) (PSE) (Pigtail Style)  
100A @250VAC (1A-15A) (PSE)  
100A @ 250VAC (32mA-15A) KC  
35A or 10In @250VAC (TUV) (whichever is larger)

**Material Specifications**

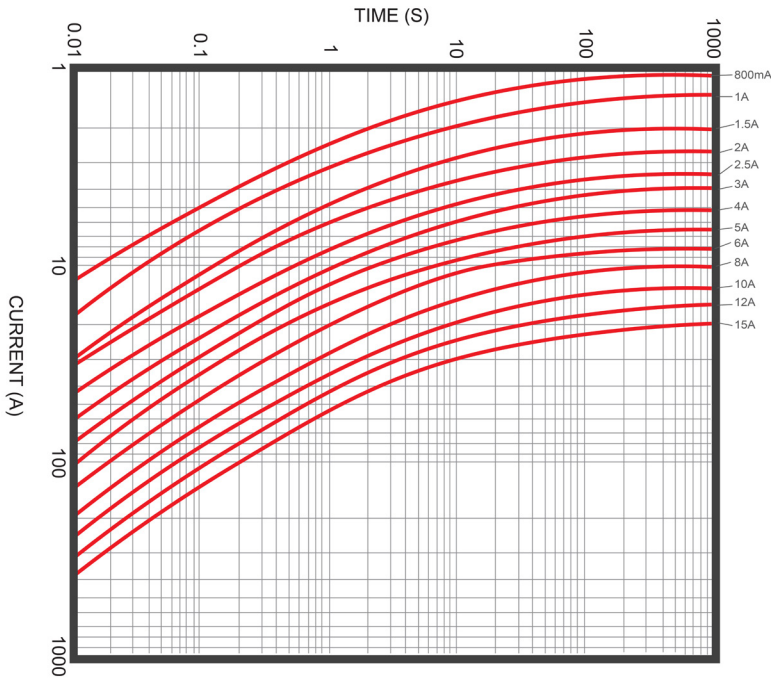
Body Material: Glass

**Mechanical Dimensions: Inches [mm]**



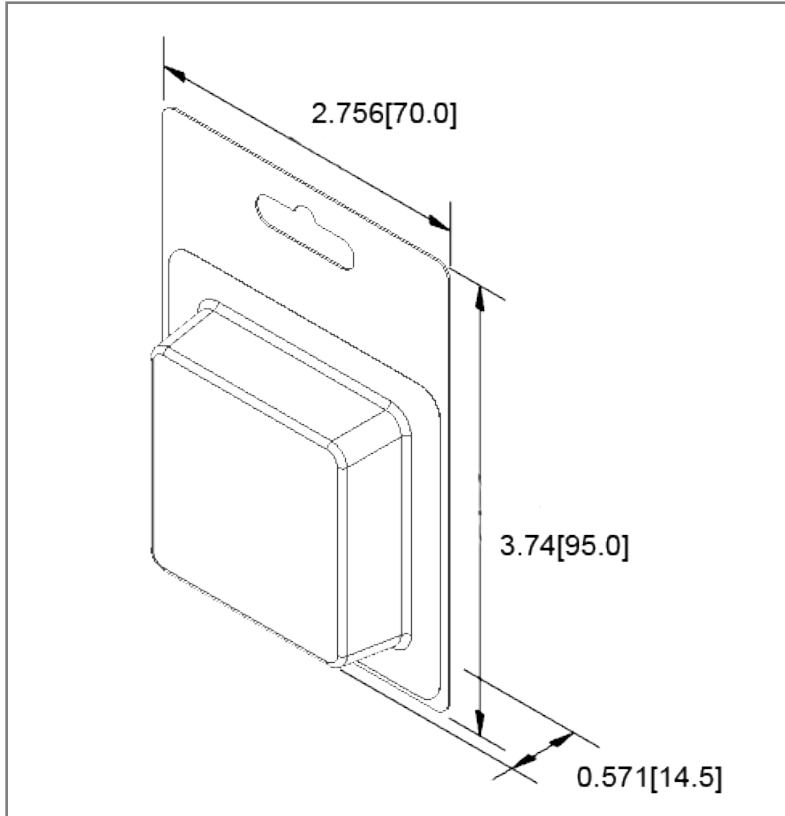
Cartridge P/N	Axial Lead P/N	Ampere Rating	I <sup>2</sup> T Reference (A <sup>2</sup> Sec)
TSA-200mA	TSA-P-200mA	200mA	0.262
TSA-250mA	TSA-P-250mA	250mA	0.415
TSA-300mA	TSA-P-300mA	300mA	0.82
TSA-315mA	TSA-P-315mA	315mA	0.91
TSA-350mA	TSA-P-350mA	350mA	1.091
TSA-400mA	TSA-P-400mA	400mA	1.55
TSA-500mA	TSA-P-500mA	500mA	2.512
TSA-600mA	TSA-P-600mA	600mA	3.803
TSA-630mA	TSA-P-630mA	630mA	4.285
TSA-750mA	TSA-P-750mA	750mA	7.705
TSA-800mA	TSA-P-800mA	800mA	1.542
TSA-1A	TSA-P-1A	1A	3.373
TSA-1.2A	TSA-P-1.2A	1.2A	5.115
TSA-1.25A	TSA-P-1.25A	1.25A	5.789
TSA-1.5A	TSA-P-1.5A	1.5A	10.02
TSA-1.6A	TSA-P-1.6A	1.6A	11.52
TSA-2A	TSA-P-2A	2A	7.48
TSA-2.5A	TSA-P-2.5A	2.5A	11.43
TSA-3A	TSA-P-3A	3A	18.71
TSA-3.15A	TSA-P-3.15A	3.15A	20.45
TSA-3.5A	TSA-P-3.5A	3.5A	25.55
TSA-4A	TSA-P-4A	4A	32.96
TSA-5A	TSA-P-5A	5A	57.8
TSA-6A	TSA-P-6A	6A	95.06
TSA-6.3A	TSA-P-6.3A	6.3A	105.2
TSA-7A	TSA-P-7A	7A	150.5
TSA-8A	TSA-P-8A	8A	213.8
TSA-9A	TSA-P-9A	9A	284
TSA-10A	TSA-P-10A	10A	363.1
TSA-12A	TSA-P-12A	12A	616.6
TSA-15A	TSA-P-15A	15A	1009

Time vs Percent of Rated Current

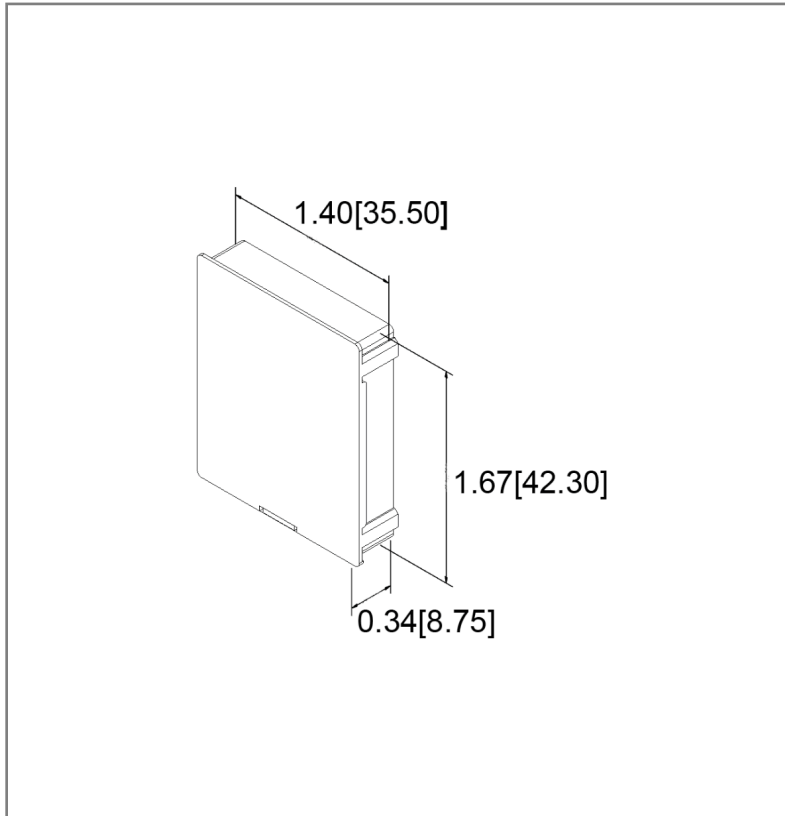


% of Rated Current	Min Hold Time	Max Hold Time
100%	4hr	-
135%	-	1hr
200%	-	120s

**Blister Pack: Inches [mm]**



**Pill Box: Inches [mm]**



**Retail Pack Part Number Information**

Ampere Rating	Retail Pack # Blister Card (5PCS)	Retail Pack # Pill Box (5PCS)
200mA	TSA-200mA-BP	TSA-200mA-BX
250mA	TSA-250mA-BP	TSA-250mA-BX
300mA	TSA-300mA-BP	TSA-300mA-BX
315mA	TSA-315mA-BP	TSA-315mA-BX
400mA	TSA-400mA-BP	TSA-400mA-BX
500mA	TSA-500mA-BP	TSA-500mA-BX
600mA	TSA-600mA-BP	TSA-600mA-BX
750mA	TSA-750mA-BP	TSA-750mA-BX
800mA	TSA-800mA-BP	TSA-800mA-BX
1A	TSA-1A-BP	TSA-1A-BX
1.2A	TSA-1.2A-BP	TSA-1.2A-BX
1.25A	TSA-1.25A-BP	TSA-1.25A-BX
1.5A	TSA-1.5A-BP	TSA-1.5A-BX
1.6A	TSA-1.6A-BP	TSA-1.6A-BX
2A	TSA-2A-BP	TSA-2A-BX
2.5A	TSA-2.5A-BP	TSA-2.5A-BX
3A	TSA-3A-BP	TSA-3A-BX
3.15A	TSA-3.15A-BP	TSA-3.15A-BX
3.5A	TSA-3.5A-BP	TSA-3.5A-BX
4A	TSA-4A-BP	TSA-4A-BX
5A	TSA-5A-BP	TSA-5A-BX
6A	TSA-6A-BP	TSA-6A-BX
6.3A	TSA-6.3A-BP	TSA-6.3A-BX
7A	TSA-7A-BP	TSA-7A-BX
7.5A	TSA-7.5A-BP	TSA-7.5A-BX
8A	TSA-8A-BP	TSA-8A-BX
10A	TSA-10A-BP	TSA-10A-BX
12A	TSA-12A-BP	TSA-12A-BX
15A	TSA-15A-BP	TSA-15A-BX
16A	TSA-16A-BP	TSA-16A-BX
20A	TSA-20A-BP	TSA-20A-BX
25A	TSA-25A-BP	TSA-25A-BX
30A	TSA-30A-BP	TSA-30A-BX

\* Retail packs are for cartridge style fuses only

**Rev Date of issue Revision Notes**

**Designed Approved**

F	03-05-2024	Initial Drawing	RC	OF
---	------------	-----------------	----	----